

Product sheet

Miniature connector




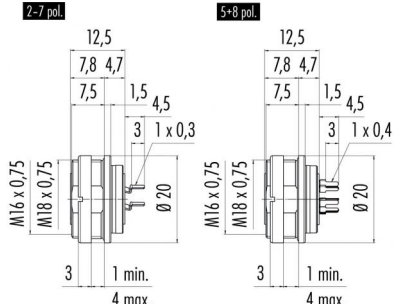
Product	Contacts: 5, Female panel mount connector, dip-solder, screwed from front, 2 - 8 contacts, with UL approval	Area	M16 IP67 Series 423/ 723/ 425
Pole	5	Article number	09 0116 90 05

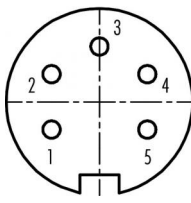
Illustration

Scale drawing

Contact Arrangement







	X	Y
1	-3,03	-1,75
2	-3,03	1,75
3	0,00	3,50
4	3,03	1,75
5	3,03	-1,75

You can find the assembly instruction on the next page.

Technical data

Common values

Connector Design	Female panel mount connector
Connector locking system	screw
Termination	dip-solder
Wire gauge (mm)	-
Wire gauge (AWG)	-
Upper temperature	95 °C
Lower temperature	-40 °C

Electrical values

Rated voltage	250 V
Rated impulse voltage	1500 V
Pollution degree	1
Overvoltage category	I
Material group	III
Rated current (40°C)	6 A
Volume resistivity	≤ 5 mΩ
EMV compliance	shielded
Degree of protection	IP67
Mechanical operation	> 500 mating cycles

Material

Material of contact	CuSn (Bronze)
Contact plating	Ag (Silver)
Material of contact body	PBT (UL 94 V-0)
Material of housing	Nickel-plated zinc die casting

Contacts: 5, Female panel mount connector, dip-solder, screwed from front, 2 - 8 contacts, silver plated contacts, with UL approval

Product

Contacts: 5, Female panel mount connector, dip-solder, screwed from front, 2 - 8 contacts, with UL approval
5

Area
Article number

M16 IP67 Series 423/ 723/ 425
09 0116 90 05

Pole

Installation instructions / Mounting cutout

