

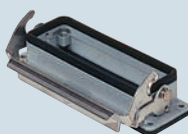


inserts:	page:
CDD ..... 42 poles + ⊕	69
CDS ..... 18 poles + ⊕	79
CSH ..... 10 poles + ⊕	92
CNE, CSE ..... 10 poles + ⊕	105
CCE ..... 10 poles + ⊕	111
CSS ..... 10 poles + ⊕	123
CT, CTSE (16A) *) .. 10 poles + ⊕	131
CQE ..... 18 poles + ⊕	139
CMCE ..... 3+2 (aux) poles + ⊕	148
CMSH ..... 3+2 (aux) poles + ⊕	149
CX ..... 8/24 poles + ⊕	169
MIXO ..... 3 modules	179 - 215

\*) can be used only in bulkhead mounting housings

insert centre distance:  
57 x 27 mm

**bulkhead mounting housings with single lever**



lever in stainless steel

**bulkhead mounting housings with single lever**

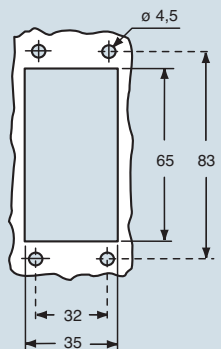


lever in stainless steel

description	part No.
with lever, size "57.27"	<b>CVI 10 L</b>
with lever and cover in aluminium, size "57.27"	<b>CVI 10 LS</b>
with lever and cover in plastic, size "57.27"	<b>CVI 10 LP</b>

description	part No.
with lever, size "57.27"	<b>CVI 10 L</b>
with lever and cover in aluminium, size "57.27"	<b>CVI 10 LS</b>
with lever and cover in plastic, size "57.27"	<b>CVI 10 LP</b>

panel cut-out for bulkhead mounting housings in mm



**NB:**  
The enclosures ensure IP66 protection (or IP65 cover versions) rating when mated and locked with the closing levers.



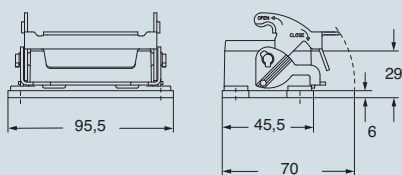
**CRUS**® Type 4/4X/12  
(except enclosures with plastic cover)



dimensions shown are not binding and may be changed without notice

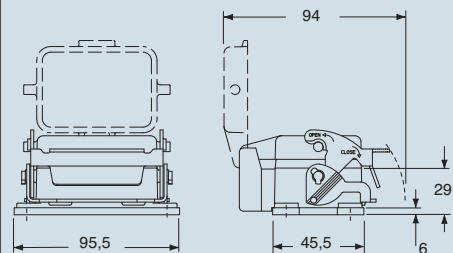
dimensions in mm

**CVI L**



dimensions in mm

**CVI LS/LP**



V-TYPE - size 57.27



inserts:	page:
CDD ..... 42 poles + ⊕	69
CDS ..... 18 poles + ⊕	79
CSH ..... 10 poles + ⊕	92
CNE, CSE ..... 10 poles + ⊕	105
CCE ..... 10 poles + ⊕	111
CSS ..... 10 poles + ⊕	123
CQE ..... 18 poles + ⊕	139
CMCE ..... 3+2 (aux) poles + ⊕	148
CMSH ..... 3+2 (aux) poles + ⊕	149
CX ..... 8/24 poles + ⊕	169
MIXO ..... 3 modules	179 - 215

insert centre distance:  
57 x 27 mm

angled bulkhead mounting housings  
with single lever



lever in  
stainless  
steel

**NEW**

angled bulkhead mounting housings  
with single lever

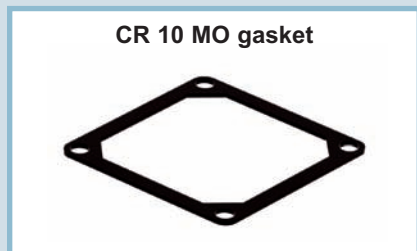


lever in  
stainless  
steel

**NEW**

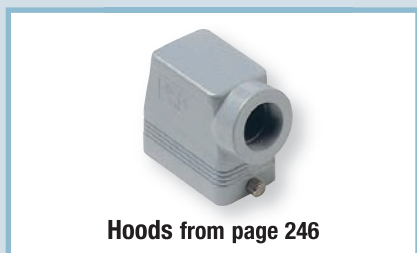
description	part No.	part No.	entry M
with lever, without cable gland entry <sup>1) 3)</sup>	<b>CVI 10 LA</b>		
with lever, with cable gland entry, closed bulkhead <sup>2)</sup>		<b>MVI 10 LAP32</b>	<b>32</b>

<sup>1)</sup> Flange gasket to be purchased separately.  
part No.: **CR 10 MO**.



<sup>2)</sup> Be used only with a complete cable gland (to be purchased separately).  
Versions with M25 or Pg 21 entry on request.

<sup>3)</sup> Kit with earthing contact, comprising a special screw and wire-terminals for 6 mm<sup>2</sup> earthing conductors (for the additional connection of the upper enclosure half) part No.: **CR MOT**



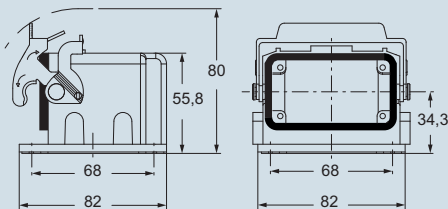
**N.B.:**  
The enclosures ensure IP66 protection rating when mated and locked with the closing lever.

Following flange versions available on request:  
73 x 73, 78 x 78, 80 x 80, 98 x 98 mm

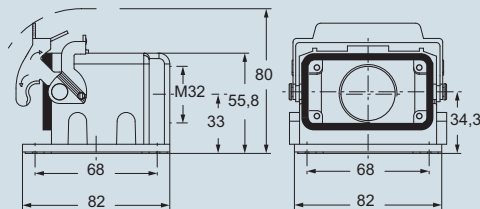


dimensions shown are not binding  
and may be changed without notice

dimensions in mm



dimensions in mm



V-TYPE - size 57.27



inserts:	page:
CDD ..... 42 poles + ⊕	69
CDS ..... 18 poles + ⊕	79
CSH ..... 10 poles + ⊕	92
CNE, CSE ..... 10 poles + ⊕	105
CCE ..... 10 poles + ⊕	111
CSS ..... 10 poles + ⊕	123
CQE ..... 18 poles + ⊕	139
CMCE ..... 3+2 (aux) poles + ⊕	148
CMSH ..... 3+2 (aux) poles + ⊕	149
CX ..... 8/24 poles + ⊕	169
MIXO ..... 3 modules	179 - 215

insert centre distance:  
57 x 27 mm

surface mounting housings  
with single lever

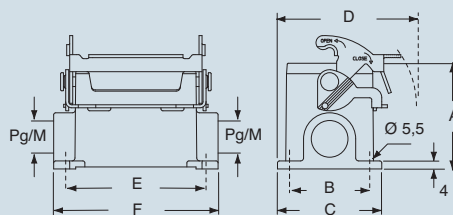


lever in  
stainless  
steel

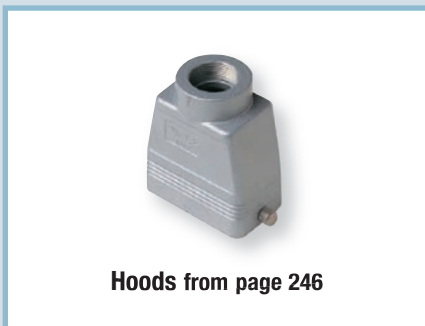
description	part No.	entry Pg	part No.	entry M
with lever/s, size "57.27"	<b>CVP 10 L</b>	16	<b>MVP 10 L20</b>	20
with lever/s, size "57.27"	<b>CVP 10 L2</b>	16 x 2	<b>MVP 10 L220</b>	20 x 2
with lever/s, high construction, size "57.27"	<b>CVAP 10 L21</b>	21	<b>MVAP 10 L32</b>	32
with lever/s, high construction, size "57.27"	<b>CVAP 10 L221</b>	21 x 2	<b>MVAP 10 L232</b>	32 x 2
with lever/s, high construction, size "57.27"	<b>CVAP 10 L29</b>	29	<b>MVAP 10 L40</b>	40
with lever/s, high construction, size "57.27"	<b>CVAP 10 L229</b>	29 x 2	<b>MVAP 10 L240</b>	40 x 2

dimensions in mm

CVP L - CVAP L and MVP L - MVAP L



type	A	B	C	D	E	F
<b>CVP/MVP 10 L</b>	57	40	52	73	82	93,5
<b>CVAP/MVAP 10 L</b>	73	45	57	75,5	82	93,5



**CAUS**® Type  
4/4X/12



dimensions shown are not binding  
and may be changed without notice



inserts:	page:
CDD ..... 42 poles + ⊕	69
CDS ..... 18 poles + ⊕	79
CSH ..... 10 poles + ⊕	92
CNE, CSE ..... 10 poles + ⊕	105
CCE ..... 10 poles + ⊕	111
CSS ..... 10 poles + ⊕	123
CQE ..... 18 poles + ⊕	139
CMCE ..... 3+2 (aux) poles + ⊕	148
CMSH ..... 3+2 (aux) poles + ⊕	149
CX ..... 8/24 poles + ⊕	169
MIXO ..... 3 modules	179 - 215

insert centre distance:  
57 x 27 mm

surface mounting housings  
with single lever and plastic cover



lever in stainless steel

surface mounting housings  
with single lever and aluminium cover



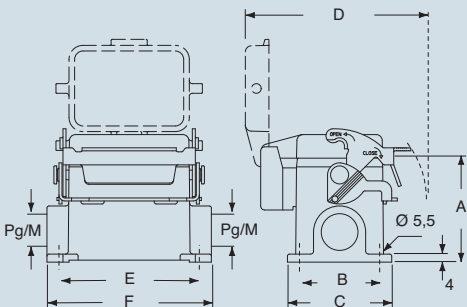
lever in stainless steel

description	part No.		part No.		part No.		part No.	
	entry Pg	entry M	entry Pg	entry M	entry Pg	entry M	entry Pg	entry M
with lever and cover, size "57.27"	CVP 10 LP	16	MVP 10 LP20	20	CVP 10 LS	16	MVP 10 LS20	20
with lever and cover, size "57.27"	CVP 10 LP2	16 x 2	MVP 10 LP220	20 x 2	CVP 10 LS2	16 x 2	MVP 10 LS220	20 x 2
with lever and cover, high construction, size "57.27"	CVAP 10 LP21	21	MVAP 10 LP32	32	CVAP 10 LS	21	MVAP 10 LS32	32
with lever and cover, high construction, size "57.27"	CVAP 10LP221	21 x 2	MVAP 10LP232	32 x 2	CVAP 10 LS2	21 x 2	MVAP 10LS232	32 x 2
with lever and cover, high construction, size "57.27"	CVAP 10 LP29	29	MVAP 10 LP40	40	CVAP 10 LS29	29	MVAP 10 LS40	40
with lever and cover, high construction, size "57.27"	CVAP 10LP229	29 x 2	MVAP 10LP240	40 x 2	CVAP 10LS229	29 x 2	MVAP 10LS240	40 x 2

**NB:**  
The enclosures ensure IP66 protection (or IP65 cover versions) rating when mated and locked with the closing levers.

dimensions in mm

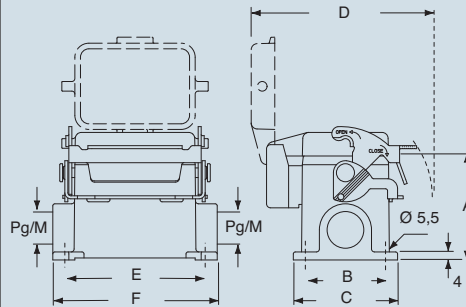
CVP LP - CVAP LP and MVP LP - MVAP LP



type	A	B	C	D	E	F
CVP/MVP 10 LP	57	40	52	94	82	93,5
CVAP/MVAP 10 LP	73	45	57	94	82	93,5

dimensions in mm

CVP LS - CVAP LS and MVP LS - MVAP LS



type	A	B	C	D	E	F
CVP/MVP 10 LS	57	40	52	94	82	93,5
CVAP/MVAP 10 LS	73	45	57	94	82	93,5



Hoods from page 246

**CAVUS**® Type 4/4X/12  
(except enclosures with plastic cover)



dimensions shown are not binding  
and may be changed without notice

V-TYPE - size 77.27



inserts:	page:
CDD ..... 42 poles + ⊕	69
CDS ..... 18 poles + ⊕	79
CSH ..... 10 poles + ⊕	92
CNE, CSE ..... 10 poles + ⊕	105
CCE ..... 10 poles + ⊕	111
CSS ..... 10 poles + ⊕	123
CQE ..... 18 poles + ⊕	139
CMCE ..... 3+2 (aux) poles + ⊕	148
CMSH ..... 3+2 (aux) poles + ⊕	149
CX ..... 8/24 poles + ⊕	169
MIXO ..... 3 modules	179 - 215

insert centre distance:  
57 x 27 mm

hoods, top entry,  
with gasket, with single lever



lever in stainless steel

hoods, top entry,  
with gasket, with 2 levers



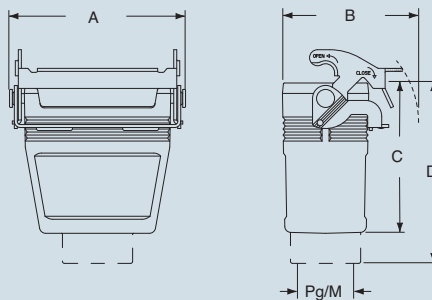
lever in stainless steel

description	part No.		part No.		part No.		part No.	
	entry Pg	entry M	entry Pg	entry M	entry Pg	entry M	entry Pg	entry M
with lever/s, size "57.27"	CVV 10 LG	16	MVV 10 LG25	25	CVV 10 G	16	MVV 10 G25	25
with lever/s, high construction, size "57.27"	CVAV 10 LG21	21	MVAV 10 LG25	25	CVAV 10 G21	21	MVAV 10 G25	25
with lever/s, high construction, size "57.27"	CVAV 10 LG29	29	MVAV 10 LG32	32	CVAV 10 G29	29	MVAV 10 G32	32
with lever/s, high construction, without adapter, size "57.27"	CVFV 10 LG21	21	MVFV 10 LG25	25	CVFV 10 G21	21	MVFV 10 G25	25
with lever/s, high construction, without adapter, size "57.27"	CVFV 10 LG29	29	MVFV 10 LG32	32	CVFV 10 G29	29	MVFV 10 G32	32

**NB:**  
The enclosures ensure IP66 protection (or IP65 cover versions) rating when mated and locked with the closing levers.

dimensions in mm

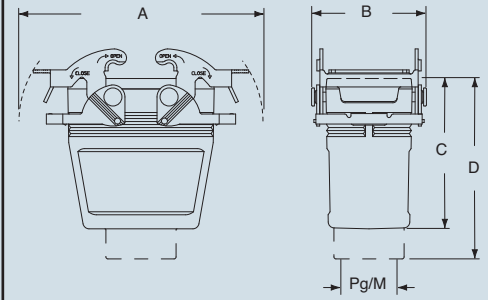
CVV LG - CVAV LG - CVFV LG and  
MVV LG - MVAV LG - MVFV LG



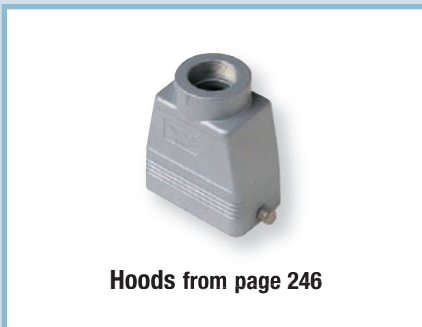
type	A	B	C	D
CVV/MVV 10 LG	87	68	50,5	63,5
CVAV/MVAV 10 LG	87	68	75	91
CVFV/MVFV 10 LG	87	68	75	—

dimensions in mm

CVV G - CVAV G - CVFV G and  
MVV G - MVAV G - MVFV G



type	A	B	C	D
CVV/MVV 10 G	122	57	50,5	63,5
CVAV/MVAV 10 G	122	57	75	91
CVFV/MVFV 10 G	122	57	75	—



**CALUS** Type 4/4X/12



dimensions shown are not binding  
and may be changed without notice

V-TYPE - size 77.27