

Product sheet

Subminiature connector



Product	Contacts 5, female panel mount connector, red	Area	Snap-in IP67 Series 620
Pole	5	Article number	99 9216 050 05

Illustration	Scale drawing	Contact Arrangement																		
		<table border="1" style="margin-left: auto; margin-right: auto;"> <thead> <tr> <th></th> <th>X</th> <th>Y</th> </tr> </thead> <tbody> <tr> <td>1</td> <td>-1,23</td> <td>-1,70</td> </tr> <tr> <td>2</td> <td>-2,00</td> <td>0,65</td> </tr> <tr> <td>3</td> <td>0,00</td> <td>2,10</td> </tr> <tr> <td>4</td> <td>2,00</td> <td>0,65</td> </tr> <tr> <td>5</td> <td>1,23</td> <td>-1,70</td> </tr> </tbody> </table>		X	Y	1	-1,23	-1,70	2	-2,00	0,65	3	0,00	2,10	4	2,00	0,65	5	1,23	-1,70
	X	Y																		
1	-1,23	-1,70																		
2	-2,00	0,65																		
3	0,00	2,10																		
4	2,00	0,65																		
5	1,23	-1,70																		

You can find the item description and assembly instruction on the next page.

Technical data

Common values

Connector Design	Female panel mount connector
Connector locking system	Snap
Wire gauge (mm)	0.25 mm ²
Wire gauge (AWG)	24
Cable outlet	3 - 5 mm
Upper temperature	85 °C
Lower temperature	-25 °C

Cable data

material housing	-
Insulation single lead	-
Single lead structure	-
Conductor resistance	-

Electrical values

Rated voltage	63 V
Rated impulse voltage	800 V
Pollution degree	2
Overvoltage category	II
Material group	II
Rated current (40°C)	2 A
Volume resistivity	≤ 3 mΩ
EMV compliance	not shielded
Degree of protection	IP67
Mechanical operation	> 500 mating cycles

Material

Material of contact	CuSn (Bronze)
Contact plating	Au (Gold)
Material of contact body	PA (UL 94 V-0)
Material of housing	PA (UL 94 V-0)

Contacts: 5, female panel mount connector, red

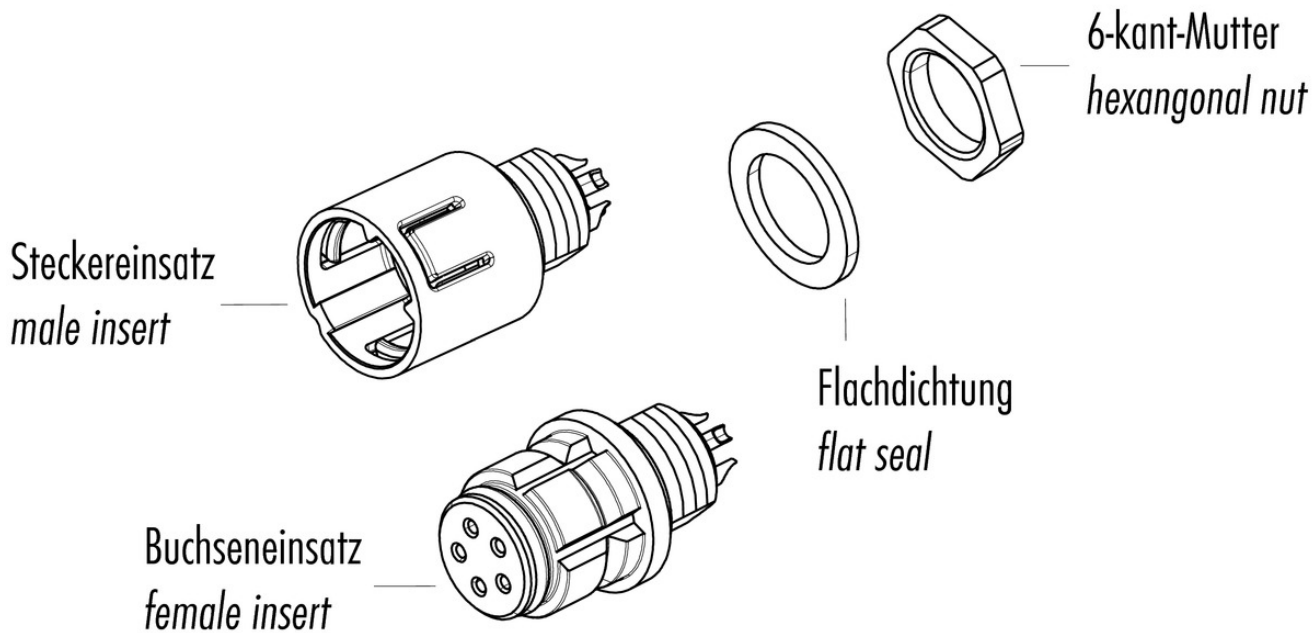
Product
Pole

Contacts 5, female panel mount
connector, red
5

Area
Article number

Snap-in IP67 Series 620
99 9216 050 05

Item description



Installation instructions / Mounting cutout

