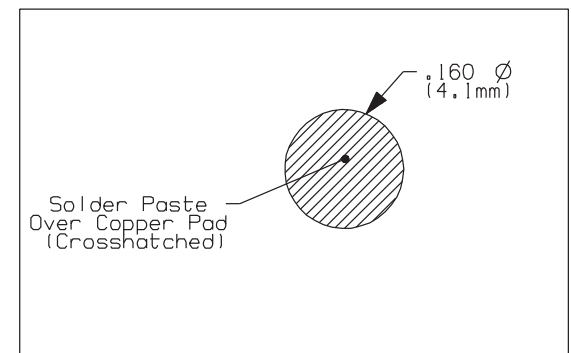


Recommended Solder Pad Geometry



PART No.	"L"	MATERIAL	FINISH
A4-375-0	.375 (9.53mm)	CDA 11000 COPPER	.000150" MIN 100% MATTE TIN FINISH OVER .000100" MIN CU
A4-625-0	.625 (15.9mm)	CDA 11000 COPPER	.000150" MIN 100% MATTE TIN FINISH OVER .000100" MIN CU
A4-680-0	.680 (17.3mm)	CDA 11000 COPPER	.000150" MIN 100% MATTE TIN FINISH OVER .000100" MIN CU

RoHS COMPLIANT

Zierick Product Related Recommendations are general guidelines only. Since each customer's design, process and application is different it is necessary that customers thoroughly test our products in specific applications.



Radio Circle Drive
Mount Kisco, New York 10549

.080 DIA
STARBASED SMT PIN

THIS DOCUMENT AND THE CONFIDENTIAL INFORMATION CONTAINED HERE ARE THE PROPERTY OF ZIERICK MANUFACTURING CORPORATION AND MAY NOT BE USED IN WHOLE OR IN PART IN ANY WAY, OR COMMUNICATED TO ANY PARTY OTHER THAN THE RECIPIENT WITHOUT THE EXPRESS PRIOR WRITTEN CONSENT OF ZIERICK MANUFACTURING CORPORATION.

A4-XXX-0