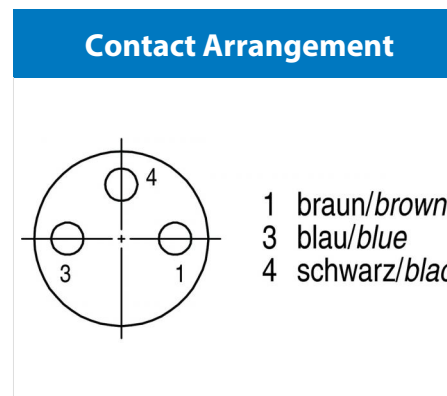
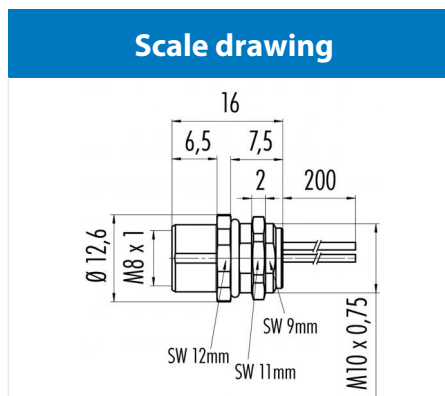


|         |   |                |                          |
|---------|---|----------------|--------------------------|
| Product | <b>Contacts: 3, Female panel mount connector with single wires, fixing thread, M10 x 0.75</b> | Area           | <b>M8 Series 768/718</b> |
| Pole    | <b>3</b>  | Article number | <b>09 3418 00 03</b>     |



You can find the assembly instruction on the next page.

## Technical data

### Common values

|                          |                              |
|--------------------------|------------------------------|
| Connector Design         | Female panel mount connector |
| Connector locking system | screw                        |
| Termination              | Single wires 0.25            |
| Wire gauge (mm)          | 0.25 mm <sup>2</sup>         |
| Wire gauge (AWG)         | 24                           |
| Upper temperature        | 85 °C                        |
| Lower temperature        | -40 °C                       |

### Electrical values

|                       |                     |
|-----------------------|---------------------|
| Rated voltage         | 60 V                |
| Rated impulse voltage | 800 V               |
| Pollution degree      | 3                   |
| Overvoltage category  | II                  |
| Material group        | II                  |
| Rated current (40°C)  | 4 A                 |
| Volume resistivity    | ≤ 3 mΩ              |
| Degree of protection  | IP67                |
| Mechanical operation  | > 100 mating cycles |

### Material

|                          |                                |
|--------------------------|--------------------------------|
| Material of contact      | CuSn (Bronze)                  |
| Contact plating          | Au (Gold)                      |
| Material of contact body | PA (UL 94 HB)                  |
| Material of housing      | Nickel-plated zinc die casting |

Contacts: 3, Female panel mount connector with single wires, fixing thread, M10 x 0.75

Product

**Contacts: 3, Female panel mount connector with single wires, fixing thread, M10 x 0.75**

Area  
Article number

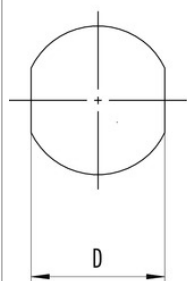
**M8 Series 768/718  
09 3418 00 03**

Pole

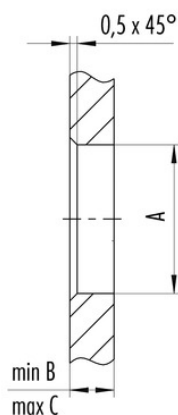
3

### Installation instructions / Mounting cutout

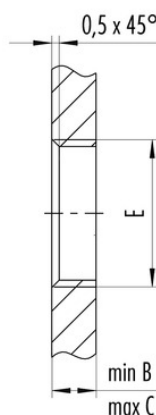
Mit Fläche als Verdrehschutz  
With flats as anti-rotation device



Mit Durchgangsbohrung  
With bore hole



Mit Gewinde, einschraubbar  
With thread to screw in



| Gewinde E/thread E | A    | B   | C   | D   |
|--------------------|------|-----|-----|-----|
| M8 x 0,5           | 8,1  | 2,5 | 4,5 | 7,1 |
| M10 x 0,75         | 10,1 | 2,5 | 5,0 | 9,1 |

Anzugsdrehmoment/Tightening moment 1 Nm