

Product sheet

Miniature connector

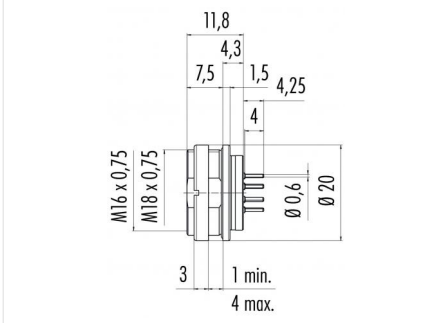


| | | | |
|---------|---|----------------|--------------------------------------|
| Product | Contacts: 14, Female panel mount connector, dip-solder, screwed from front, 12 - 19 contacts, with UL approval | Area | M16 IP67 Series 423/ 723/ 425 |
| Pole | 14 | Article number | 09 0454 90 14 |

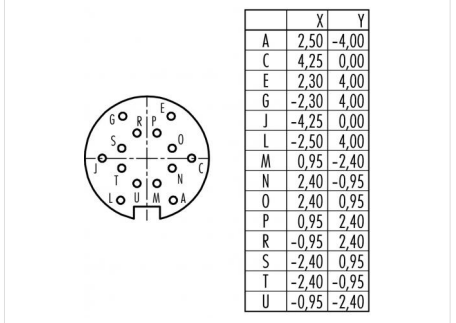
Illustration



Scale drawing



Contact Arrangement



You can find the assembly instruction on the next page.

Technical data

Common values

| | |
|--------------------------|------------------------------|
| Connector Design | Female panel mount connector |
| Connector locking system | screw |
| Termination | dip-solder |
| Wire gauge (mm) | - |
| Wire gauge (AWG) | - |
| Upper temperature | 95 °C |
| Lower temperature | -40 °C |

Electrical values

| | |
|-----------------------|---------------------|
| Rated voltage | 60 V |
| Rated impulse voltage | 500 V |
| Pollution degree | 1 |
| Overvoltage category | I |
| Material group | III |
| Rated current (40°C) | 3 A |
| Volume resistivity | ≤ 3 mΩ |
| EMV compliance | shielded |
| Degree of protection | IP67 |
| Mechanical operation | > 500 mating cycles |

Material

| | |
|--------------------------|--------------------------------|
| Material of contact | CuSn (Bronze) |
| Contact plating | Au (Gold) |
| Material of contact body | PBT (UL 94 V-0) |
| Material of housing | Nickel-plated zinc die casting |

Contacts: 14, Female panel mount connector, dip-solder, screwed from front, 12 - 19 contacts, gold plated contacts, with UL approval



| | | | |
|---------|---|------------------------|--|
| Product | Contacts: 14, Female panel mount connector, dip-solder, screwed from front, 12 - 19 contacts, with UL approval | Area Article number | M16 IP67 Series 423/ 723/ 425 09 0454 90 14 |
| Pole | 14 | | |

Installation instructions / Mounting cutout

