
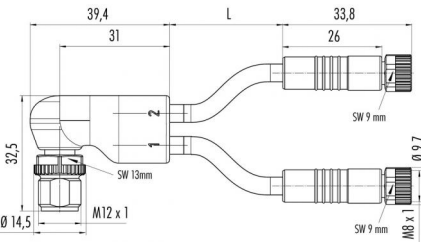
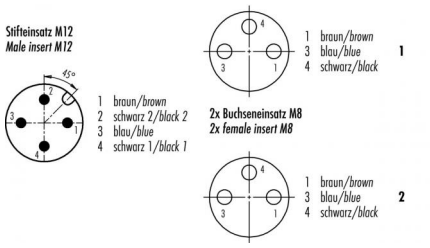


Product	Contacts 4/3: Connecting rod, angled double plug M12 x 1, 2 female cable connectors M8 x 1, 3 x 0.34 mm² PUR 4/3	Area	Connecting cords Series 765
Pole		Article number	77 9827 3406 50003 0200

Illustration	Scale drawing	Contact Arrangement
		

Technical data

Common values

Connector Design	Connecting cord
Connector locking system	screw
Termination	crimp, injection-moulded cable
Wire gauge (mm)	0.34 mm ²
Wire gauge (AWG)	22
Upper temperature	85 °C
Lower temperature	-25 °C

Electrical values

Rated voltage	30 V
Rated impulse voltage	800 V
Pollution degree	3
Overvoltage category	II
Material group	II
Rated current (40°C)	4 A
Volume resistivity	≤ 3 mΩ
EMV compliance	nicht geschirmt
Degree of protection	IP67
Mechanical operation	> 100 mating cycles

Material

Material of contact	Pin/ CuZn (brass), socket/ CuSn (bronze)
Contact plating	Au (Gold)
Material of contact body	PUR
Material of housing	PUR

Contacts 4/3: Connecting cord 2m, angled double plug M12 x 1, 2 female cable connectors M8 x 1, 3 x 0.34 mm²