
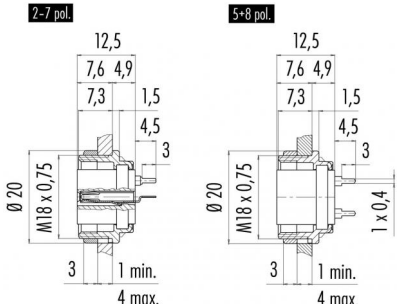
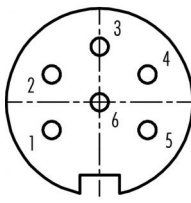


# Product sheet

## Miniature connector



Product	<b>Contacts: 6 DIN, Female panel mount connector, dip-solder, screwed from front, 2 - 8 contacts</b>	Area	<b>M16 IP40 Series 581/ 680/ 682</b>
Pole	<b>6 DIN</b>	Article number	<b>09 0324 99 06</b>

Illustration	Scale drawing	Contact Arrangement																					
		 <table border="1" style="margin-left: 20px;"> <thead> <tr> <th></th> <th>X</th> <th>Y</th> </tr> </thead> <tbody> <tr> <td>1</td> <td>-3,03</td> <td>-1,75</td> </tr> <tr> <td>2</td> <td>-3,03</td> <td>1,75</td> </tr> <tr> <td>3</td> <td>0,00</td> <td>3,50</td> </tr> <tr> <td>4</td> <td>3,03</td> <td>1,75</td> </tr> <tr> <td>5</td> <td>3,03</td> <td>-1,75</td> </tr> <tr> <td>6</td> <td>0,00</td> <td>0,00</td> </tr> </tbody> </table>		X	Y	1	-3,03	-1,75	2	-3,03	1,75	3	0,00	3,50	4	3,03	1,75	5	3,03	-1,75	6	0,00	0,00
	X	Y																					
1	-3,03	-1,75																					
2	-3,03	1,75																					
3	0,00	3,50																					
4	3,03	1,75																					
5	3,03	-1,75																					
6	0,00	0,00																					

You can find the assembly instruction on the next page.

## Technical data

### Common values

Connector Design	Female panel mount connector
Connector locking system	screw
Termination	dip-solder
Wire gauge (mm)	-
Wire gauge (AWG)	-
Upper temperature	85 °C
Lower temperature	-40 °C

### Electrical values

Rated voltage	250 V
Rated impulse voltage	1500 V
Pollution degree	1
Overvoltage category	I
Material group	III
Rated current (40°C)	5 A
Volume resistivity	≤ 3 mΩ
EMV compliance	shielded
Degree of protection	IP40
Mechanical operation	> 500 mating cycles

### Material

Material of contact	CuSn (Bronze)
Contact plating	Au (Gold)
Material of contact body	PBT (UL 94 V-0)
Material of housing	Nickel-plated zinc die casting

Contacts: 6 DIN, Female panel mount connector, dip-solder, screwed from front, 2 - 8 contacts, gold plated contacts

Product

**Contacts: 6 DIN, Female panel mount connector, dip-solder, screwed from front, 2 - 8 contacts**  
6 DIN

Area  
Article number

**M16 IP40 Series 581/ 680/ 682**  
**09 0324 99 06**

Pole

Installation instructions / Mounting cutout

