

# Product sheet

## Miniature connector

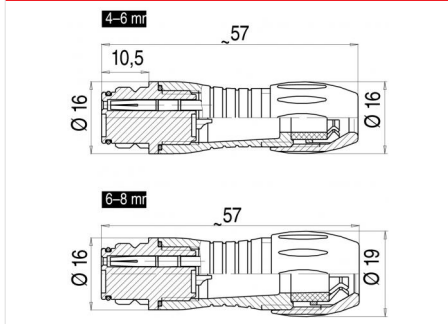


Product	<b>Contacts: 12, female cable connector, cable outlet 6 - 8 mm, red</b>	Area	<b>Snap-in IP67 Series 720</b>
Pole	<b>12</b>	Article number	<b>99 9134 52 12</b>

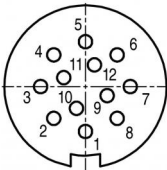
### Illustration



### Scale drawing



### Contact Arrangement



	X	Y
1	0,00	-3,70
2	-2,62	-2,62
3	-3,70	0,00
4	-2,62	2,62
5	0,00	3,70
6	2,62	2,62
7	3,70	0,00
8	2,62	-2,62
9	1,79	-0,74
10	-0,74	-1,79
11	-1,79	0,74
12	0,74	1,79

You can find the item description on the next page.

## Technical data

### Common values

Connector Design	Female cable connector
Connector locking system	Snap
Termination	Solder
Wire gauge (mm)	0.25 mm <sup>2</sup>
Wire gauge (AWG)	24
Cable outlet	6 - 8 mm
Upper temperature	85 °C
Lower temperature	-40 °C

### Electrical values

Rated voltage	60 V
Rated impulse voltage	800 V
Pollution degree	2
Overvoltage category	II
Material group	II
Rated current (40°C)	2 A
Volume resistivity	≤ 3 mΩ
EMV compliance	not shielded
Degree of protection	IP67
Mechanical operation	> 500 mating cycles

### Material

Material of contact	CuSn (Bronze)
Contact plating	Au (Gold)
Material of contact body	PA (UL 94 V-0)
Material of housing	PA (UL 94 V-0)

Contacts: 12, female cable connector, cable outlet 6 - 8 mm, red

Product	<b>Contacts: 12, female cable connector, cable outlet 6 - 8 mm, red</b>	Area	<b>Snap-in IP67 Series 720</b>
Pole	<b>12</b>	Article number	<b>99 9134 52 12</b>

Item description

