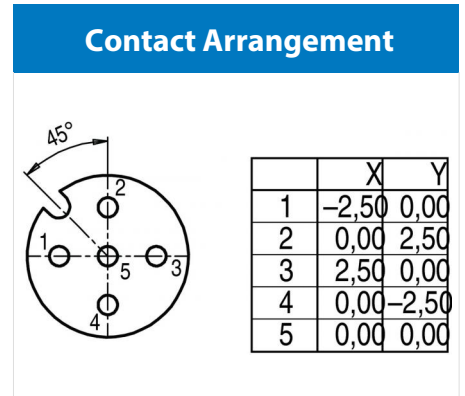
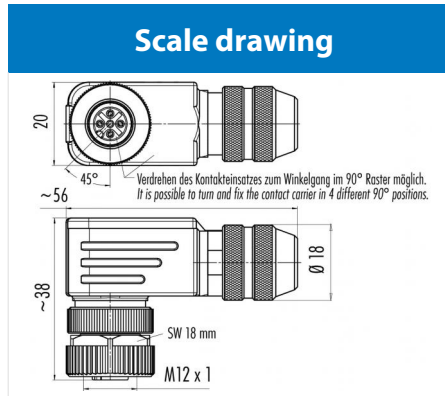


Product	Contacts 5: Female angled connector, shieldable, wire clamp connection, static ring version with die-cast threaded ring	Area	M12-A Series 713
Pole	5	Article number	99 1538 822 05



You can find the item description on the next page.

Technical data

Common values

Connector Design	Female angled connector
Connector locking system	screw
Termination	Wire tension spring
Wire gauge (mm)	0.50 mm ²
Wire gauge (AWG)	20
Cable outlet	6 - 8 mm
Upper temperature	85 °C
Lower temperature	-40 °C

Electrical values

Rated voltage	125 V
Rated impulse voltage	1500 V
Pollution degree	3
Overvoltage category	II
Material group	III
Rated current (40°C)	4 A
Volume resistivity	≤ 3 mΩ
EMV compliance	geschirmt
Degree of protection	IP67
Mechanical operation	> 100 mating cycles

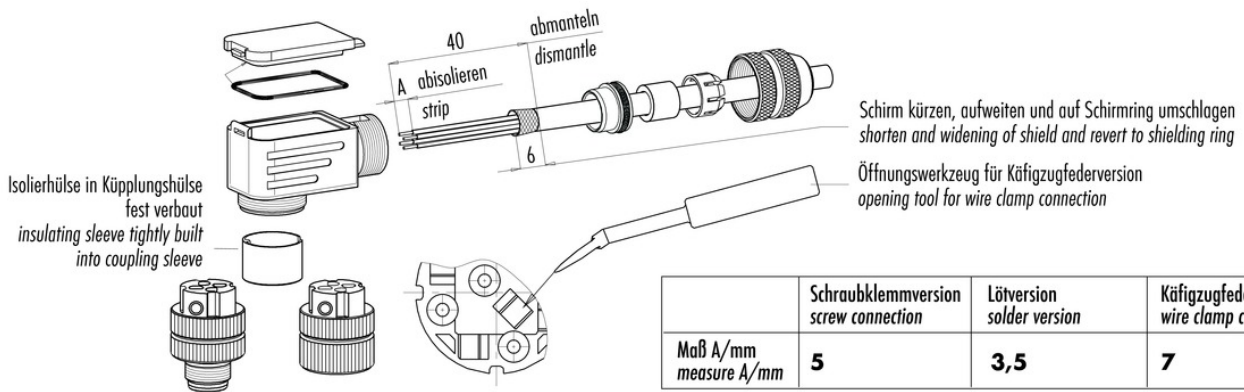
Material

Material of contact	CuSn (Bronze)
Contact plating	Au (Gold)
Material of contact body	PA
Material of housing	Nickel-plated zinc die casting, PBT

Contacts 5: cable outlet: 6-8 mm, female angled connector, shieldable, wire clamp connection, static ring version, with die-cast threaded ring

Product	Contacts 5: Female angled connector, shieldable, wire clamp connection, static ring version with die-cast threaded ring	Area	M12-A Series 713
Pole	5	Article number	99 1538 822 05

Item description



	Schraubklemmversion screw connection	Lötversion solder version	Käfigzugfederversion wire clamp connection
Maß A/mm measure A/mm	5	3,5	7