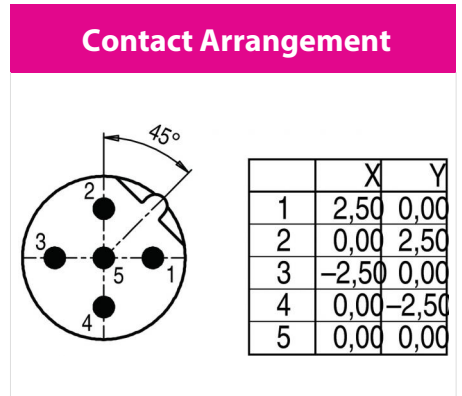
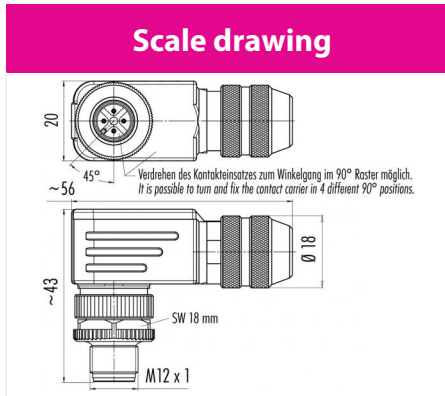


Product	Contacts: 5, Male angled connector, shieldable with wire clamp connection, with die-cast threaded ring	Area	M12-B Series 715
Pole	5	Article number	99 1535 820 05



Technical data

Common values

Connector Design	Male angled connector
Connector locking system	screw
Termination	Käfigzugfeder
Wire gauge (mm)	0.50 mm ²
Wire gauge (AWG)	20
Cable outlet	6 - 8 mm
Upper temperature	85 °C
Lower temperature	-40 °C

Cable data

material housing	-
Insulation single lead	-
Single lead structure	-
Conductor resistance	-
Bending radius cable fixed	-
Bending radius cable movable	-

Electrical values

Rated voltage	125 V
Rated impulse voltage	1500 V
Pollution degree	3
Overvoltage category	II
Material group	II
Rated current (40°C)	4 A
Volume resistivity	≤ 3 mΩ
EMV compliance	geschirmt
Degree of protection	IP67
Mechanical operation	> 100 mating cycles

Material

Material of contact	CuZn (Brass)
Contact plating	Au (Gold)
Material of contact body	PA
Material of housing	Nickel-plated zinc die casting

cable outlet: 6 - 8 mm, Contacts: 5, Male angled connector, shieldable, with wire clamp connection