

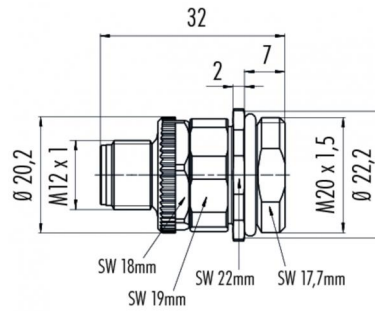
Product **Contacts: 8, Male panel mount connector, screw terminal connection, fixing thread, M20 x 1.5, UL approval**

Area **M12-A Series 713/763**  
Article number **86 0431 0003 00008**

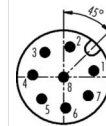
### Illustration



### Scale drawing



### Contact Arrangement



	X	Y
1	2,69	0,57
2	0,57	2,69
3	-1,66	2,20
4	-2,75	0,19
5	-1,94	-1,94
6	0,19	-2,74
7	2,20	-1,65
8	0,00	0,00

- 1 weiß/white
- 2 braun/brown
- 3 grün/green
- 4 gelb/yellow
- 5 grau/grey
- 6 rosa/pink
- 7 blau/blue
- 8 rot/red

Geschirmte Versionen: Schirm auf Gehäuse oder Pin 8  
Shielded versions: shield on housing or pin 8

You can find the assembly instruction on the next page.

## Technical data

### General features

Connector Design male panel mount connector  
Connector locking system bolted  
Termination removable screw  
Wire gauge (mm) schraubklemm max. 0,5 mm<sup>2</sup>  
Wire gauge (AWG) schraubklemm max. AWG 20  
Upper temperature 85 °C  
Lower temperature -40 °C

### Cable data

Approval 1 UL

### Electrical parameters

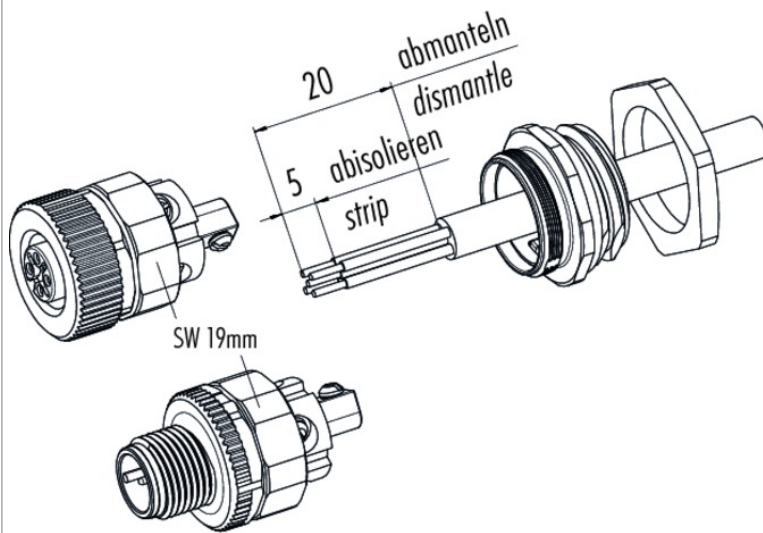
Rated voltage 30 V  
Rated impulse voltage 800 V  
Pollution degree 3  
Overvoltage category II  
Material group II  
Rated current (40°C) 1,5A (2A UL)  
Volume resistivity ≤ 3 mΩ  
EMV compliance not shielded  
Degree of protection IP67  
Mechanical operation > 100 Mating cycles

### Material

Material of contact CuZn (Messing)  
Contact plating Au (gold)  
Material of contact body PA

Product **Contacts: 8, Male panel mount connector, screw terminal connection, fixing thread, M20 x 1.5, UL approval**  
 Area **M12-A Series 713/763**  
 Article number **86 0431 0003 00008**

**Installation instructions / Mounting cutout**



**Litzenquerschnitt**

**Wire cross section**

min. 0,14 mm<sup>2</sup> 4-, 5-, 8-polig/contacts  
 max. 1,5 mm<sup>2</sup> 4-, 5-polig/contacts  
 max. 0,5 mm<sup>2</sup> 8-polig/contacts

**Kontakteinsatz**

**Contact insert**

4 x 90° verdrehbar/adjustable

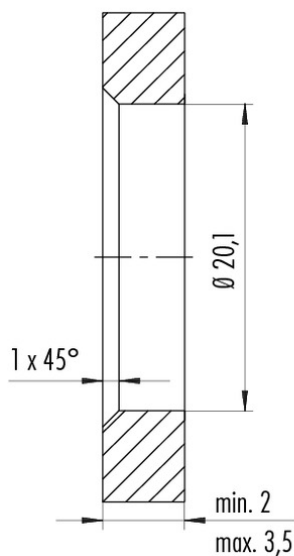
**Anzugsdrehmoment**

**Tightening torque**

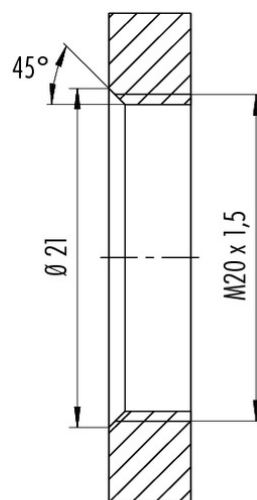
SW 19 Mutter/nut = 5 Nm M18 x 0,75  
 M20 x 1,5 = 5 Nm

**Installation instructions / Mounting cutout**

Mit Durchgangsbohrung  
With bore hole



Mit Gewinde, einschraubbar  
With thread to screw in



**Anzugsdrehmoment/Tightening moment**

M20 x 1,5 5 Nm