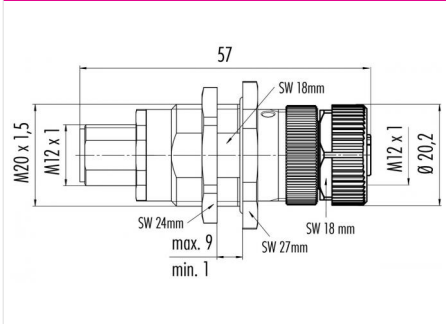


Product	Contacts: 4, Adaptor, switch cabinet bushing, shielded, with UL approval	Area	M12-D, M12-X Series 825/876 D-coding
Pole	4	Article number	09 5245 00 04

Illustration



Scale drawing



You can find the assembly instruction on the next page.

Technical data

Common values

Connector Design	Adaptor
Connector locking system	screw
Wire gauge (mm)	-
Wire gauge (AWG)	-
Upper temperature	85 °C
Lower temperature	-40 °C

Cable data

material housing	-
Insulation single lead	-
Single lead structure	-
Conductor resistance	-
Bending radius cable fixed	-
Bending radius cable movable	-

Electrical values

Rated voltage	250 V
Rated impulse voltage	2500 V
Pollution degree	3
Overvoltage category	II
Material group	III
Rated current (40°C)	4 A
Volume resistivity	≤ 3 mΩ
EMV compliance	shielded
Degree of protection	IP67
Mechanical operation	> 100 mating cycles

Material

Material of contact	CuZn (Brass)
Contact plating	Au (Gold)
Material of contact body	PA
Material of housing	Nickel-plated zinc die casting, nickel-plated brass

Contacts: 4, Adaptor, switch cabinet bushing, shielded, with UL approval

Product	Contacts: 4, Adaptor, switch cabinet bushing, shielded, with UL approval	Area	M12-D, M12-X Series 825/876 D-coding
Pole	4	Article number	09 5245 00 04

Installation instructions / Mounting cutout

Schaltschrankdurchführung mit Durchgangsbohrung
Lead-through for control cabinet with bore hole

