

Product sheet

Miniature connector

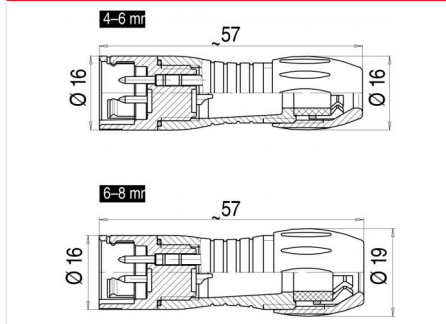


Product	Contacts: 12, cable plug connector, cable outlet 6 - 8 mm, blue	Area	Snap-in IP67 Series 720
Pole	12	Article number	99 9133 62 12

Illustration



Scale drawing



Contact Arrangement

	X	Y
1	0,00	-3,70
2	2,62	-2,62
3	3,70	0,00
4	2,62	2,62
5	0,00	3,70
6	-2,62	2,62
7	-3,70	0,00
8	-2,62	-2,62
9	-1,79	-0,74
10	0,74	-1,79
11	1,79	0,74
12	-0,74	1,79

You can find the item description on the next page.

Technical data

Common values

Connector Design	Cable plug connector
Connector locking system	Snap
Termination	Solder
Wire gauge (mm)	0.25 mm ²
Wire gauge (AWG)	24
Cable outlet	6 - 8 mm
Upper temperature	85 °C
Lower temperature	-40 °C

Electrical values

Rated voltage	60 V
Rated impulse voltage	800 V
Pollution degree	2
Overvoltage category	II
Material group	II
Rated current (40°C)	2 A
Volume resistivity	≤ 3 mΩ
EMV compliance	not shielded
Degree of protection	IP67
Mechanical operation	> 500 mating cycles

Material

Material of contact	CuZn (Brass)
Contact plating	Au (Gold)
Material of contact body	PA (UL 94 V-0)
Material of housing	PA (UL 94 V-0)

Contacts: 12, cable plug connector, cable outlet 6 - 8 mm, blue

Product sheet
Miniature connector

Product	Contacts: 12, cable plug connector, cable outlet 6 - 8 mm, blue	Area	Snap-in IP67 Series 720
Pole	12	Article number	99 9133 62 12

Item description

