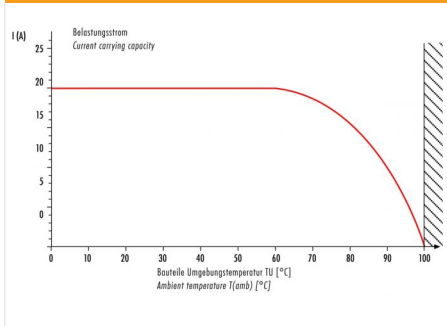


| | | | |
|---------|---|----------------|------------------------------|
| Product | Contacts: 4+PE, female panel mount connector with VDE and ETS approval | Area | RD30 Power Series 694 |
| Pole | 4+PE | Article number | 99 0712 00 05 |

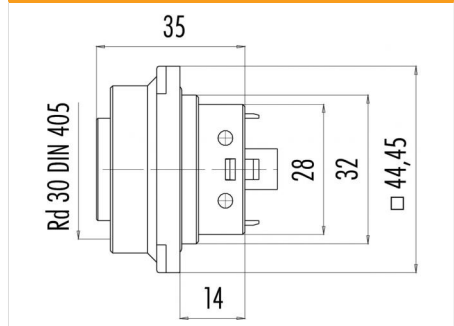
Deratingkurven



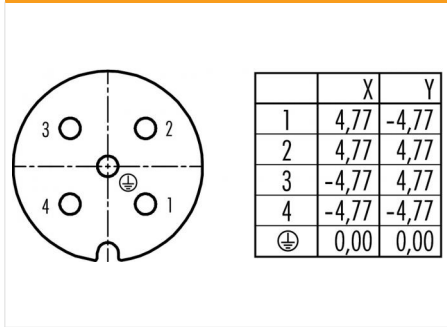
Illustration



Scale drawing



Contact Arrangement



You can find the assembly instruction on the next page.

Technical data

Common values

| | |
|--------------------------|------------------------------|
| Connector Design | Female panel mount connector |
| Connector locking system | screw |
| Termination | Screwing |
| Wire gauge (mm) | 2.50 mm ² |
| Wire gauge (AWG) | 14 |
| Cable outlet | - |
| Upper temperature | 100 °C |
| Lower temperature | -40 °C |

Electrical values

| | |
|-----------------------|---------------------|
| Rated voltage | 400 V |
| Rated impulse voltage | 6000 V |
| Pollution degree | 3 |
| Overvoltage category | III |
| Material group | III |
| Rated current (40°C) | 20 A |
| Volume resistivity | ≤ 5 mΩ |
| EMV compliance | not shielded |
| Degree of protection | IP65 |
| Mechanical operation | > 500 mating cycles |

Material

| | |
|--------------------------|----------------|
| Material of contact | CuSn (Bronze) |
| Contact plating | Ag (Silver) |
| Material of contact body | PA (UL 94 HB) |
| Material of housing | PA (UL 94 V-0) |

Contacts: 4+PE, female panel mount connector

Product

Contacts: 4+PE, female panel mount
connector with VDE and ETS approval
4+PE

Area
Article number

RD30 Power Series 694
99 0712 00 05

Pole

Installation instructions / Mounting cutout

