

# Product sheet

## Subminiature connector



Product	<b>Contacts: 4, Cable plug connector, 360° EMC safe, cable outlet 3.5-5 mm</b>	Area	<b>M9 IP67 Series 712</b>
Pole	<b>4</b>	Article number	<b>99 0409 10 04</b>

Illustration	Scale drawing	Contact Arrangement															
		<table border="1"> <thead> <tr> <th></th> <th>X</th> <th>Y</th> </tr> </thead> <tbody> <tr> <td>1</td> <td>1,10</td> <td>-1,10</td> </tr> <tr> <td>2</td> <td>1,10</td> <td>1,10</td> </tr> <tr> <td>3</td> <td>-1,10</td> <td>1,10</td> </tr> <tr> <td>4</td> <td>-1,10</td> <td>-1,10</td> </tr> </tbody> </table>		X	Y	1	1,10	-1,10	2	1,10	1,10	3	-1,10	1,10	4	-1,10	-1,10
	X	Y															
1	1,10	-1,10															
2	1,10	1,10															
3	-1,10	1,10															
4	-1,10	-1,10															

You can find the item description and assembly instruction on the next page.

## Technical data

### Common values

Connector Design	Cable plug connector
Connector locking system	screw
Termination	Solder
Wire gauge (mm)	0.25 mm <sup>2</sup>
Wire gauge (AWG)	24
Cable outlet	3.5 - 5 mm
Upper temperature	85 °C
Lower temperature	-40 °C

### Cable data

material housing	-
Insulation single lead	-
Single lead structure	-
Conductor resistance	-

### Electrical values

Rated voltage	125 V
Rated impulse voltage	1500 V
Pollution degree	1
Overvoltage category	II
Material group	III
Rated current (40°C)	3 A
Volume resistivity	≤ 3 mΩ
EMV compliance	shieldable
Degree of protection	IP67
Mechanical operation	> 500 mating cycles

### Material

Material of contact	CuZn (Brass)
Contact plating	Au (Gold)
Material of contact body	PBT (UL 94 V-0)
Material of housing	CuZn (Brass nickel-plated)

Contacts: 4, Cable plug connector, 360° EMC safe, shieldable, cable outlet 3.5-5 mm

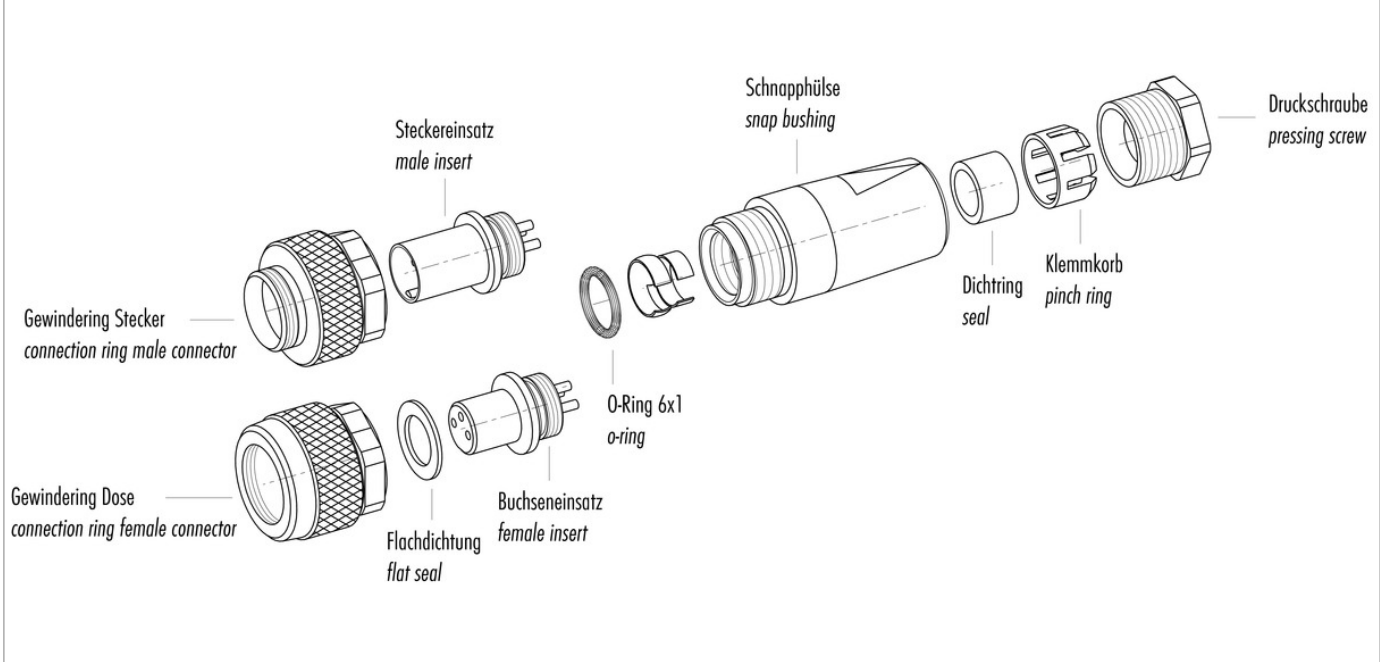
# Product sheet

## Subminiature connector



Product	<b>Contacts: 4, Cable plug connector, 360° EMC safe, cable outlet 3.5-5 mm</b>	Area	<b>M9 IP67 Series 712</b>
Pole	<b>4</b>	Article number	<b>99 0409 10 04</b>

### Item description



### Installation instructions / Mounting cutout

<p>1. Teile auffädeln, Kabel abmanteln, Schirm kürzen, Leiter abisolieren</p>	<p>1. Bead parts, dismantle cable, shorten shield, strip wire</p>	<p>3 abisolieren strip abmanteln dismantle min. 10 max. 12 ~ 4 Schirm shield</p>
<p>2. Schirm umlegen, Schirmmanschette an Kabeldurchmesser anpassen und mit Schirm verlöten</p>	<p>2. Fold shield back, fit collar to cable diameter and solder with shield</p>	
<p>3. Überstehendes Geflecht abschneiden, Kontakteinsatz anlöten</p>	<p>3. Cut off projecting shielding braid, solder insert</p>	
<p>4. Übrige Teile gemäß Darstellung montieren</p>	<p>4. Mount remaining parts acc. to figure</p>	