



inserts:	page:
CD ..... 64 poles + ⊕	59
CT, CTS (10A) *) ..... 64 poles + ⊕	65
CDD ..... 108 poles + ⊕	72
CDS ..... 42 poles + ⊕	81
CSH ..... 24 poles + ⊕	94
CNE, CSE ..... 24 poles + ⊕	107
CCE ..... 24 poles + ⊕	113
CSS ..... 24 poles + ⊕	125
CT, CTSE (16A) *) ..... 24 poles + ⊕	133
CQE ..... 46 poles + ⊕	141
CQEE ..... 64 poles + ⊕	147
CMCE ..... 10+2 (aux) poles + ⊕	152
CMSH ..... 10+2 (aux) poles + ⊕	153
CX ..... 4/8 and 6/6 poles + ⊕	173 and 175
MIXO ..... 6 modules	179-215

\*) only in the CHIN 24 enclosure

insert centre distance: 104 x 27 mm

housings with double lever

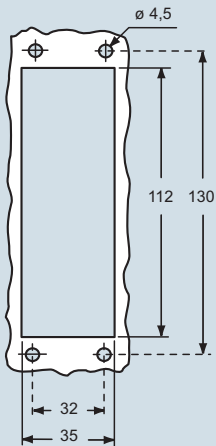


hoods with 4 pegs

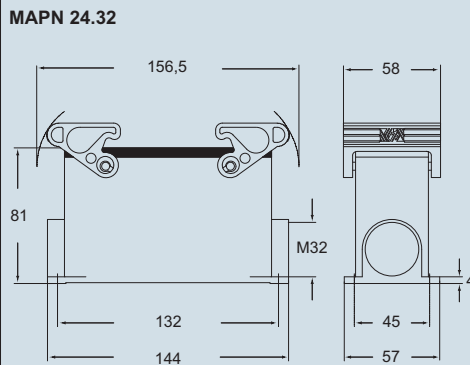
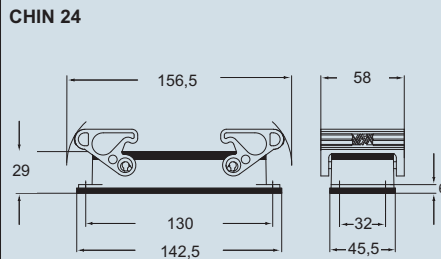


description	part No.	entry M	part No.	entry M
bulkhead mounting housing, with 2 levers	<b>CHIN 24</b>			
surface mounting housing, high construction, with 2 levers	<b>MAPN 24.32</b>	<b>32</b>		
with pegs, side entry			<b>MHON 24.32</b>	<b>32</b>
with pegs, side entry, high construction			<b>MFON 24.32</b>	<b>32</b>
with pegs, side entry			<b>MHVN 24.32</b>	<b>32</b>
with pegs, side entry, high construction			<b>MFVN 24.32</b>	<b>32</b>

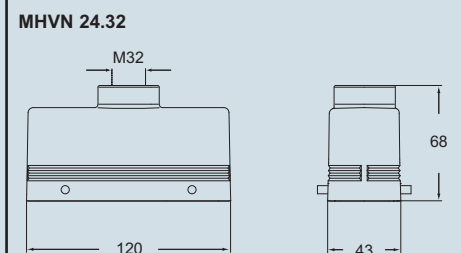
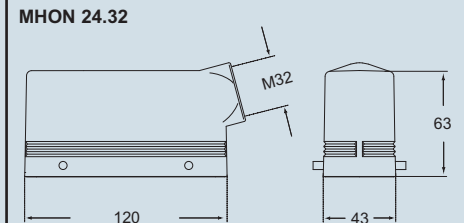
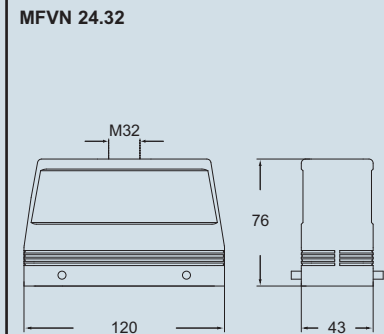
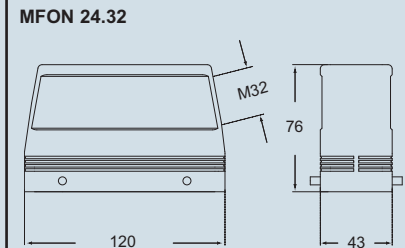
panel cut-out for bulkhead mounting housing in mm



dimensions in mm



dimensions in mm



- kiln powder coating with RAL 9005 black epoxy polyester powder
- RAL 9005 black self-extinguishing thermoplastic locking lever (spare lever page 458)

**CALUS** Type 4/4X/12



dimensions shown are not binding and may be changed without notice

LS-TYPE - size 104.27



inserts:	page:
CD ..... 64 poles + ⊕	59
CDD ..... 108 poles + ⊕	72
CDS ..... 42 poles + ⊕	81
CSH ..... 24 poles + ⊕	94
CNE, CSE ..... 24 poles + ⊕	107
CCE ..... 24 poles + ⊕	113
CSS ..... 24 poles + ⊕	125
CQE ..... 46 poles + ⊕	141
CQEE ..... 64 poles + ⊕	147
CMCE ..... 10+2 (aux) poles + ⊕	152
CMSH ..... 10+2 (aux) poles + ⊕	153
CX ..... 4/8 and 6/6 poles + ⊕	173 and 175
MIXO ..... 6 modules	179-215

insert centre distance:  
104 x 27 mm

hoods with double lever



covers

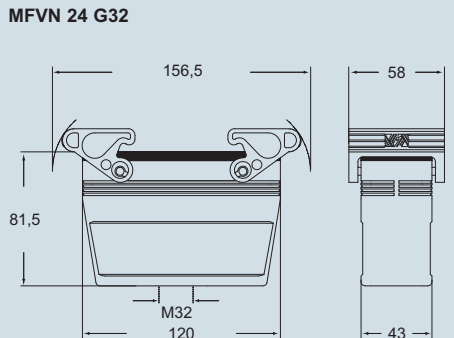
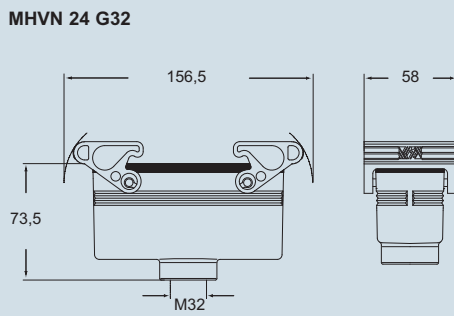


description	part No.	entry M	part No.	
			(with eyelet)	(with loop)
with 2 levers and gasket, top entry	MHVN 24 G32	32		
with 2 levers and gasket, top entry, high construction	MFVN 24 G32	32		

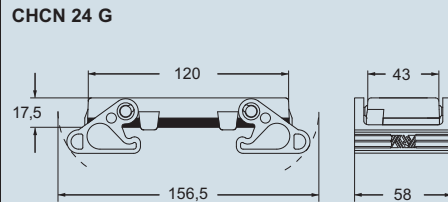
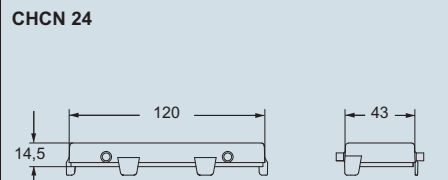
covers with pegs	CHCN 24		CHCN 24 G
covers with 2 levers			

- kiln powder coating with RAL 9005 black epoxy polyester powder  
- RAL 9005 black self-extinguishing thermoplastic locking lever (spare lever page 458)

dimensions in mm



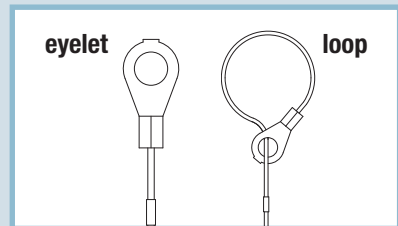
dimensions in mm



**CALUS** Type 4/4X/12



dimensions shown are not binding and may be changed without notice



LS-TYPE - size 104.27



inserts:		page:
CD .....	64 poles + ⊕	59 *
CT, CTS (10A) *) ..	64 poles + ⊕	65 *
CDD .....	108 poles + ⊕	72 *
CDS .....	42 poles + ⊕	81 *
CSH .....	24 poles + ⊕	94 *
CNE, CSE .....	24 poles + ⊕	107 *
CCE .....	24 poles + ⊕	113 *
CSS .....	24 poles + ⊕	125 *
CT, CTSE (16A) *)	24 poles + ⊕	133 *
CQE .....	46 poles + ⊕	141 *
CQEE .....	64 poles + ⊕	147 *
CMCE .....	10+2 (aux) poles + ⊕	152 *
CMSH .....	10+2 (aux) poles + ⊕	153 *
CX .....	4/8 and 6/6 poles + ⊕	173 and 175 *
MIXO .....	6 modules	179-215 *
CDSH .....	42 poles + ⊕	12

\*) only in the CHIN enclosure

\* refer to catalogue page CN.16

insert centre distance: 104 x 27 mm

housings for 2 levers



**NEW**

hoods with 2 levers

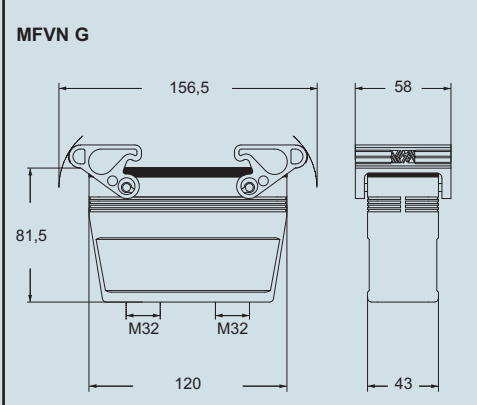
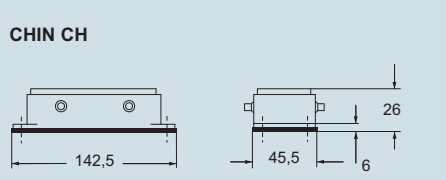
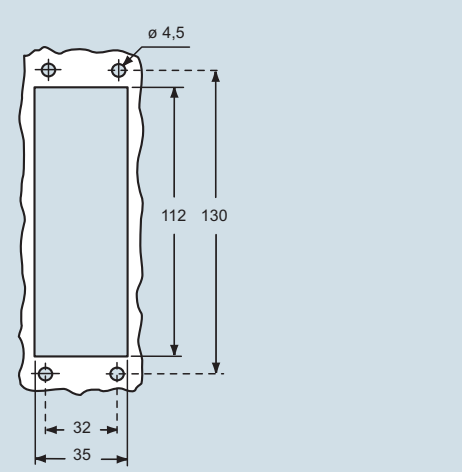


**NEW**

description	part No.	part No.	entry M
-------------	----------	----------	---------

bulkhead mounting housing, with 4 pegs	<b>CHIN 24 CH</b>		
with 2 levers and gasket, top entry, high construction		<b>MFVN 24 G232</b>	32 x 2

panel cut-out for bulkhead mounting housing in mm	dimensions in mm	
---	------------------	--



- kiln powder coating with RAL 9005 black epoxy polyester powder
- RAL 9005 black self-extinguishing thermoplastic locking lever (spare lever page 458 catalogue CN.16)



dimensions shown are not binding and may be changed without notice