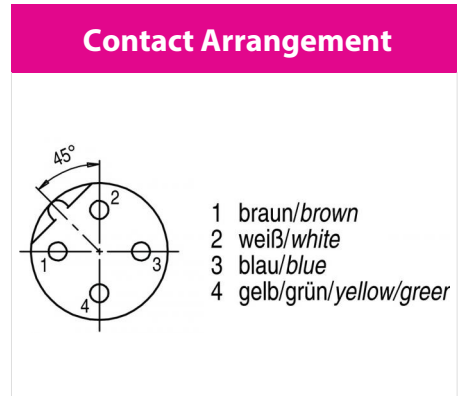
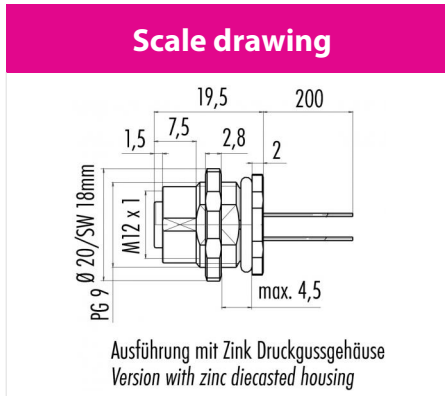


Product	Contacts: 4, Female panel mount connector, screwed from front, with single wires, 0.25 mm²	Area	M12-B Series 715/766
Pole	4	Article number	09 4432 116 04



You can find the assembly instruction on the next page.

Technical data

Common values

Connector Design	Female panel mount connector
Connector locking system	screw
Termination	Single wires
Wire gauge (mm)	0.25 mm ²
Wire gauge (AWG)	24
Upper temperature	85 °C
Lower temperature	-40 °C

Cable data

material housing	-
Insulation single lead	-
Single lead structure	-
Conductor resistance	-
Bending radius cable fixed	-
Bending radius cable movable	-

Electrical values

Rated voltage	250 V
Rated impulse voltage	2500 V
Pollution degree	3
Overvoltage category	II
Material group	II
Rated current (40°C)	4 A
Volume resistivity	≤ 3 mΩ
EMV compliance	not shielded
Degree of protection	IP68
Mechanical operation	> 100 mating cycles

Material

Material of contact	CuSn (Bronze)
Contact plating	Au (Gold)
Material of contact body	PUR, PA
Material of housing	Nickel-plated zinc die casting

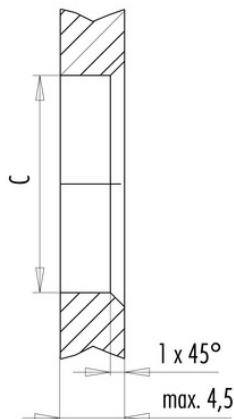
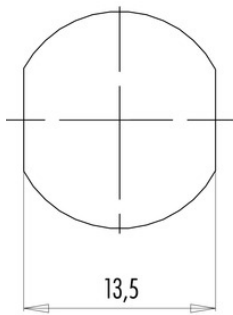
fixing thread: PG 9, Contacts: 4, Female panel mount connector screwed from front, with single wires 0.25 mm²

Product	Contacts: 4, Female panel mount connector, screwed from front, with single wires, 0.25 mm²	Area	M12-B Series 715/766
Pole	4	Article number	09 4432 116 04

Installation instructions / Mounting cutout

Mit Fläche als Verdreherschutz
With flats as anti-rotation device

Mit Durchgangsbohrung
With bore hole



	C
PG 9	15,3
M16x1,5	16,1

Anzugsdrehmoment/Tightening moment

Metallgehäuse/Metal housing 6,25 Nm
Kunststoffgehäuse/Plastic housing 3,75 Nm