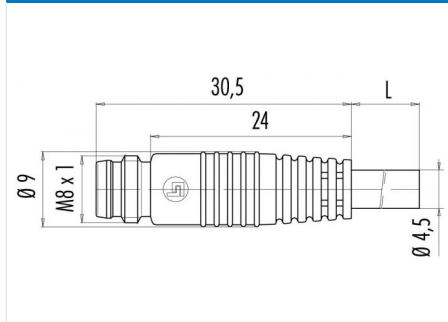


Product	Contacts: 3, Cable plug connector, overmoulded, snap version, 8mm	Area	M8 Series 718
Pole	3	Article number	79 3409 55 03

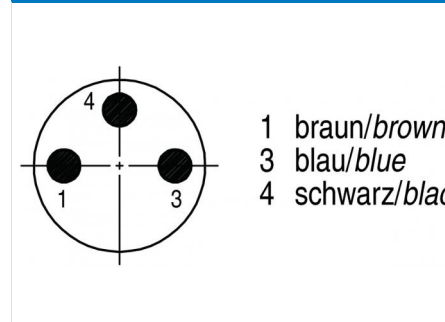
Illustration



Scale drawing



Contact Arrangement



Technical data

Common values

Connector Design	Cable plug connector
Connector locking system	Snap
Termination	crimp, injection-moulded cable
Wire gauge (mm)	0.25 mm ²
Wire gauge (AWG)	24
Upper temperature	70 °C
Lower temperature	-25 °C

Cable data

material housing	PUR
Insulation single lead	PVC
Single lead structure	32 x 0.1
Cable sheath Ø	4.5
Conductor resistance	72Ω/Km
Temperature range cable movable c from	-5
Temperature range cable movable c to	70
Temperature range cable fixed c from	-15
Temperature range cable fixed c to	70
Bending radius cable fixed	min. 5 x D
Bending radius cable movable	min. 10 x D
Approval	-

Electrical values

Rated voltage	60 V
Rated impulse voltage	800 V
Pollution degree	3
Overvoltage category	II
Material group	II
Rated current (40°C)	4 A
Volume resistivity	≤ 3 mΩ
EMV compliance	nicht geschirmt
Degree of protection	IP65
Mechanical operation	> 50 mating cycles

Material

Material of contact	CuZn (Brass)
Contact plating	Au (Gold)
Material of contact body	PUR
Material of housing	PUR

Contacts: 3, Cable length 5 m, cable: 3 x 0.25, PUR cable sheath, cable plug connector, overmoulded, snap version, 8 mm