

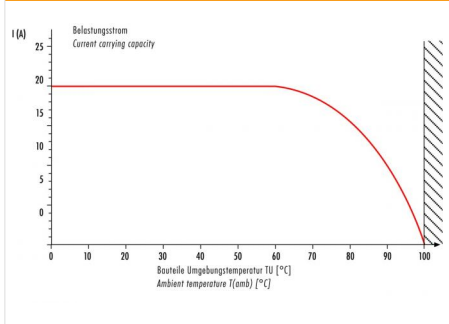
Product sheet

Output connector



| | | | |
|---------|--|----------------|------------------------------|
| Product | Contacts: 4+PE, male angled connector with VDE and ETS approval | Area | RD30 Power Series 694 |
| Pole | 4+PE | Article number | 99 0709 70 05 |

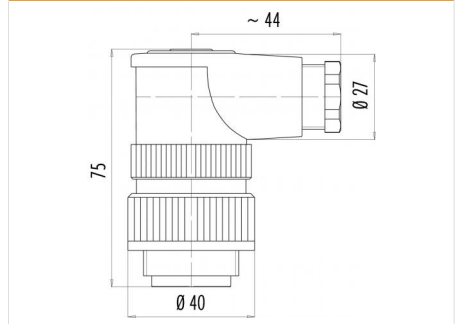
Deratingkurven



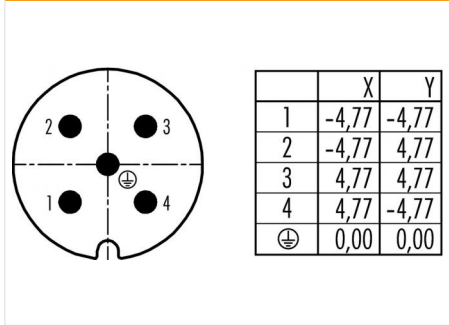
Illustration



Scale drawing



Contact Arrangement



You can find the item description on the next page.

Technical data

Common values

| | |
|--------------------------|-----------------------|
| Connector Design | Male angled connector |
| Connector locking system | screw |
| Termination | Screwing |
| Wire gauge (mm) | 2.50 mm ² |
| Wire gauge (AWG) | 14 |
| Cable outlet | 10 - 12 mm |
| Upper temperature | 100 °C |
| Lower temperature | -40 °C |

Electrical values

| | |
|-----------------------|---------------------|
| Rated voltage | 400 V |
| Rated impulse voltage | 6000 V |
| Pollution degree | 3 |
| Overvoltage category | III |
| Material group | III |
| Rated current (40°C) | 20 A |
| Volume resistivity | ≤ 5 mΩ |
| EMV compliance | not shielded |
| Degree of protection | IP65 |
| Mechanical operation | > 500 mating cycles |

Material

| | |
|--------------------------|----------------|
| Material of contact | CuZn (Brass) |
| Contact plating | Ag (Silver) |
| Material of contact body | PA (UL 94 HB) |
| Material of housing | PA (UL 94 V-0) |

Contacts: 4+PE, male angled connector with VDE and ETS approval, cable outlet 10 - 12 mm



| | | | |
|---------|--|----------------|------------------------------|
| Product | Contacts: 4+PE, male angled connector with VDE and ETS approval | Area | RD30 Power Series 694 |
| Pole | 4+PE | Article number | 99 0709 70 05 |

Item description

1. Winkelkappe, Winkelhülse, Dichtung, Klemmkorb und Druckschraube aufstecken.
2. Kontaktsteckersatz in Gehäuse einstecken.
3. Leiter abmontieren, isolieren und anschließen.
4. Winkelhülse mit vormontiertem Gehäuse bis zum mechanischen Anschlag fest verschrauben.
5. Teile gemäß Darstellung montieren.

1. Bead angled hood, sleeve, seal, pinch ring and pressing screw.
2. Clip contact insert into housing.
3. Dismantle cable, strip wire and contact wires.
4. Strongly fasten angled sleeve with preassembled housing up to mechanical stop.
5. Mount remaining parts according to figure.

