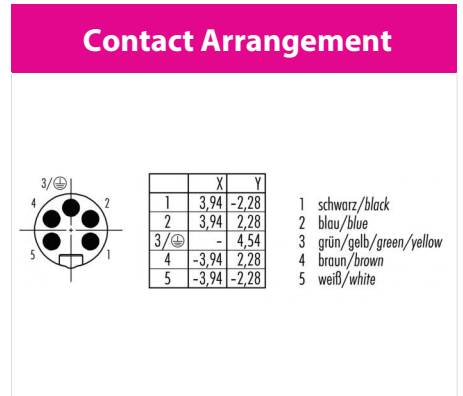
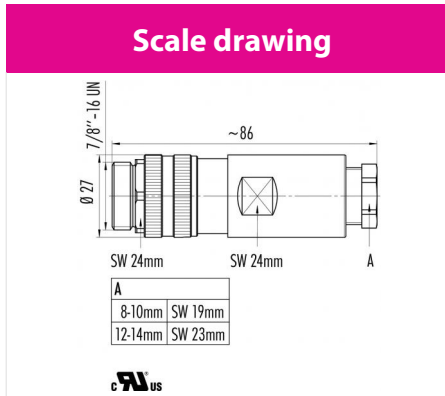


| | | | |
|---------|---|----------------|------------------------|
| Product | Contacts: 4+PE, Cable plug connector with UL approval, with die-cast threaded ring, cable outlet 8 - 10 mm, 12 - 14 mm | Area | 7/8" Series 820 |
| Pole | 4+PE | Article number | 99 2445 23 05 |



You can find the item description and assembly instruction on the next page.

Technical data

Common values

| | |
|--------------------------|--------------------------|
| Connector Design | Cable plug connector |
| Connector locking system | Screws 7/8" - 16 UN |
| Termination | Screwing |
| Wire gauge (mm) | max. 2.5 mm ² |
| Wire gauge (AWG) | max. 14 |
| Cable outlet | 8 - 10 mm |
| Upper temperature | 85 °C |
| Lower temperature | -25 °C |

Cable data

| | |
|------------------------------|---|
| material housing | - |
| Insulation single lead | - |
| Single lead structure | - |
| Conductor resistance | - |
| Bending radius cable fixed | - |
| Bending radius cable movable | - |

Electrical values

| | |
|-----------------------|--------------------|
| Rated voltage | 300 V |
| Rated impulse voltage | 4000 V |
| Pollution degree | 3 |
| Overvoltage category | III |
| Material group | III |
| Rated current (40°C) | 9 A |
| Volume resistivity | ≤ 3 mΩ |
| EMV compliance | not shielded |
| Degree of protection | IP67 |
| Mechanical operation | > 50 mating cycles |

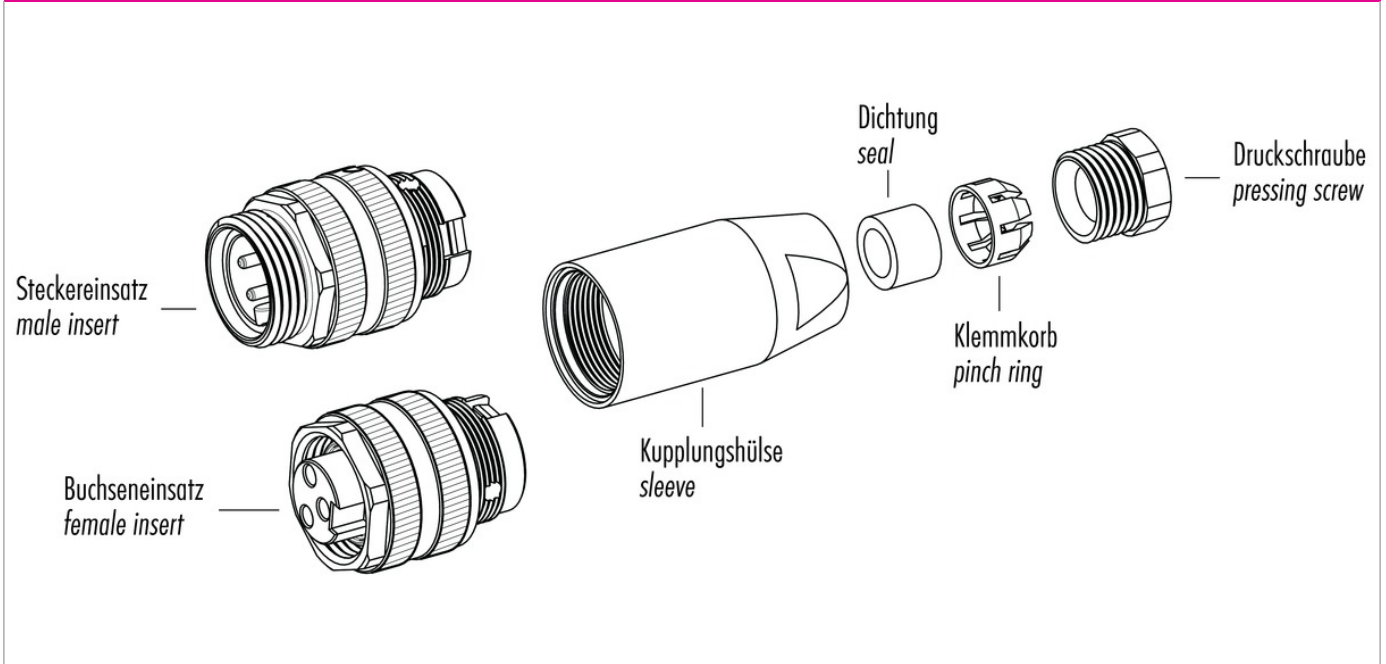
Material

| | |
|--------------------------|--------------------|
| Material of contact | CuZn (Brass) |
| Contact plating | Au (Gold) |
| Material of contact body | PUR, PA (UL 94 HB) |
| Material of housing | PBT (UL 94 V-0) |

cable outlet: 8 - 10 mm, cross-section: 2.5 mm², Contacts: 4+PE, cable plug connector

| | | | |
|---------|---|----------------|------------------------|
| Product | Contacts: 4+PE, Cable plug connector with UL approval, with die-cast threaded ring, cable outlet 8 - 10 mm, 12 - 14 mm | Area | 7/8" Series 820 |
| Pole | 4+PE | Article number | 99 2445 23 05 |

Item description



Installation instructions / Mounting cutout

