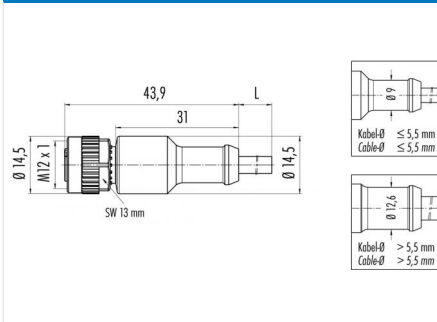


Product	<b>Contacts: 12, female cable connector overmoulded</b>	Area	<b>M12-A Series 763</b>
Pole	<b>12</b>	Article number	<b>77 3430 0000 50712-0200</b>

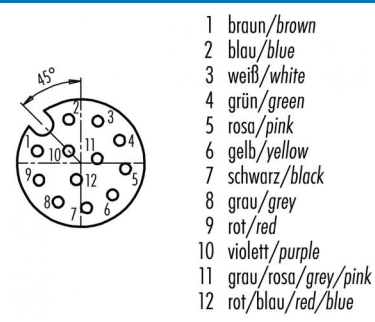
### Illustration



### Scale drawing



### Contact Arrangement



## Technical data

### Common values

Connector Design	Female cable connector
Connector locking system	screw
Termination	crimp, injection-moulded cable
Wire gauge (mm)	0.25 mm <sup>2</sup>
Wire gauge (AWG)	24
Upper temperature	85 °C
Lower temperature	-25 °C

### Cable data

material housing	PUR
Insulation single lead	PUR
Single lead structure	14 x 0.15
Cable sheath Ø	7
Conductor resistance	73Ω/Km
Temperature range cable movable c from	-5
Temperature range cable movable c to	70
Temperature range cable fixed c from	-25
Temperature range cable fixed c to	70
Bending radius cable fixed	56
Bending radius cable movable	105

### Electrical values

Rated voltage	30 V
Rated impulse voltage	500 V
Pollution degree	3
Overvoltage category	II
Material group	II
Rated current (40°C)	1 A
Volume resistivity	≤ 3 mΩ
EMV compliance	not shielded
Degree of protection	IP68
Mechanical operation	> 100 mating cycles

### Material

Material of contact	CuSn (Bronze)
Contact plating	Au (Gold)
Material of contact body	PUR
Material of housing	PUR

Contacts: 12, Cable length 2 m, cable: 12 x 0.25 mm<sup>2</sup>, PUR, female cable connector, overmoulded