

# Product sheet

## Output connector

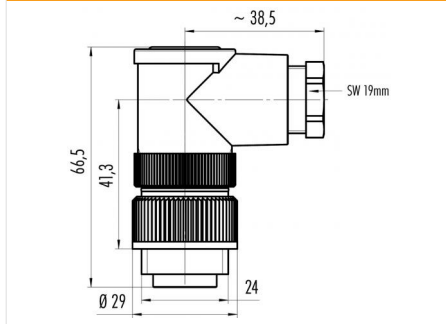


Product	<b>Contacts 3+PE: Male angled connector, PG 11</b>	Area	<b>RD24 Power Series 692/693</b>
Pole	<b>3+PE</b>	Article number	<b>99 0209 210 04</b>

### Illustration



### Scale drawing



### Contact Arrangement

	X	Y
1	-3,18	-3,18
2	-3,18	3,18
3	3,18	3,18
PE	3,18	-3,18

You can find the item description on the next page.

## Technical data

### Common values

Connector Design	Male angled connector
Connector locking system	screw
Termination	Screwing
Wire gauge (mm)	0.5 -2.5 mm <sup>2</sup>
Wire gauge (AWG)	20-14
Cable outlet	8 - 10 mm
Upper temperature	100 °C
Lower temperature	-40 °C

### Electrical values

Rated voltage	400 V
Rated impulse voltage	6000 V
Pollution degree	3
Overvoltage category	III
Material group	III
Rated current (40°C)	16 A
Volume resistivity	≤ 5 mΩ
EMV compliance	nicht geschirmt
Degree of protection	IP67
Mechanical operation	> 500 mating cycles

### Material

Material of contact	CuZn (Brass)
Contact plating	Ag (Silver)
Material of contact body	PBT (UL 94 V-0)
Material of housing	PBT (UL 94 V-0)

Contacts 3+PE: Male angled connector, PG 11, screw

Product

**Contacts 3+PE: Male angled connector, PG**

Area

**RD24 Power Series 692/693**

Pole

**11  
3+PE**

Article number

**99 0209 210 04**

### Item description

