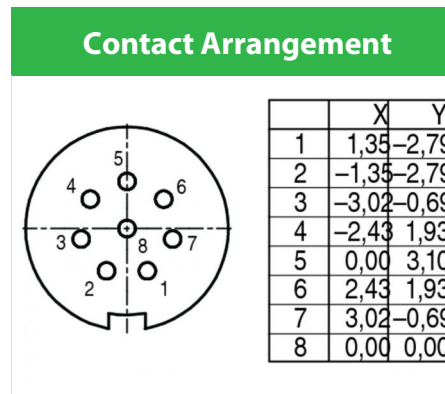
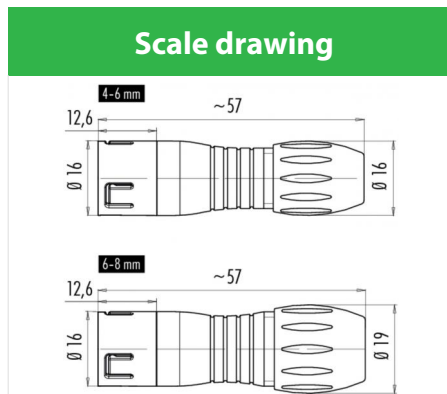


Product **Contacts: 8, Female cable connector, cable outlet 4 - 6 mm, red**  
 Area **Snap-in IP67, miniature Series**  
 Article number **99 9126 450 08**



You can find the item description on the next page.

## Technical data

### General features

Connector Design Female cable connector  
 Connector locking system snap  
 Termination solder  
 Wire gauge (mm) 0,25 mm<sup>2</sup>  
 Wire gauge (AWG) 24  
 Cable outlet 4 - 6 mm  
 Upper temperature 85 °C  
 Lower temperature -40 °C

### Electrical parameters

Rated voltage 125 V  
 Rated impulse voltage 1500 V  
 Pollution degree 2  
 Overvoltage category II  
 Material group II  
 Rated current (40°C) 2 A  
 Volume resistivity ≤ 3 mΩ  
 EMV compliance not shielded  
 Degree of protection IP67

### Material

Material of contact CuZn (Messing)  
 Contact plating Au (gold)  
 Material of contact body PA (UL 94 V-0)

Product **Contacts: 8, Female cable connector, cable outlet 4 - 6 mm, red**

Area **Snap-in IP67, miniature Series**  
Article number **99 9126 450 08**

Item description

