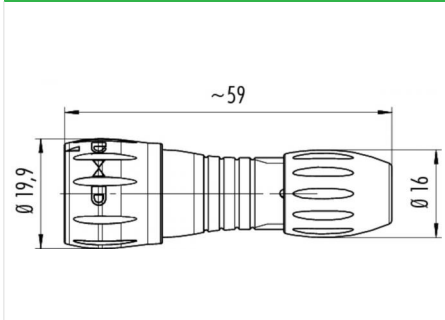


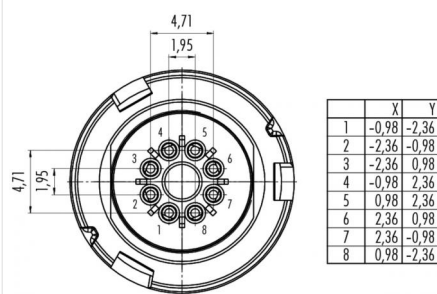
Product **Contacts: 8, cable plug connector, cable outlet 4 - 6 mm**

Area **Bayonet NCC Series**  
 Article number **99 0771 401 08**

### Scale drawing



### Contact Arrangement



You can find the item description and assembly instruction on the next page.

## Technical data

### General features

Connector Design	Cable Connector
Connector locking system	Bayonet
Termination	solder
Wire gauge (mm)	0,25 mm <sup>2</sup>
Wire gauge (AWG)	max. 24
Cable outlet	4 – 6 mm
Upper temperature	85 °C
Lower temperature	-25 °C

### Electrical parameters

Rated voltage	175 V
Rated impulse voltage	1750 V
Pollution degree	2
Overvoltage category	II
Material group	II
Rated current (40°C)	2 A
Volume resistivity	≤ 15 mΩ
Degree of protection	IP67

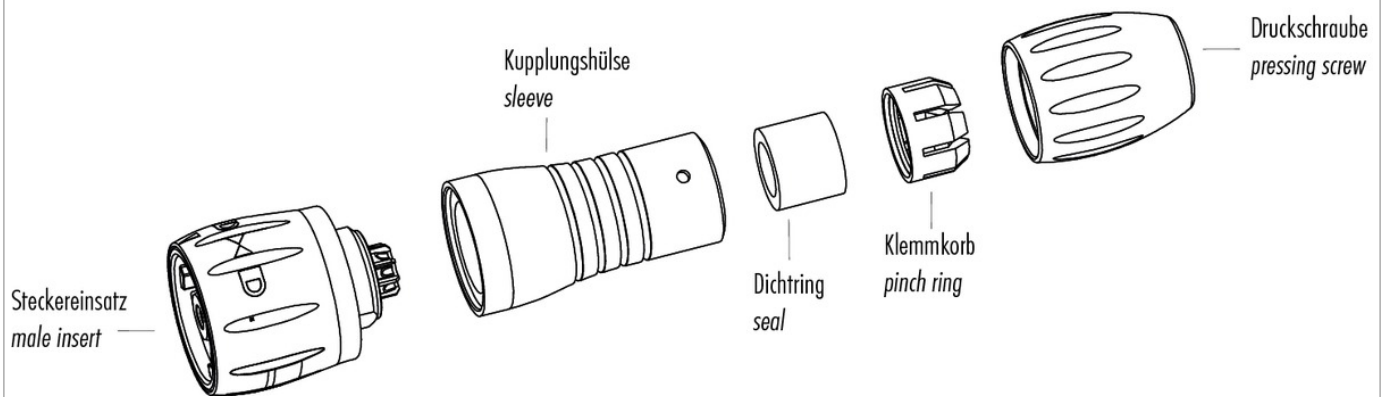
### Material

Material of contact	CuZn (Messing)
Contact plating	Au (gold)
Material of contact body	PA (UL 94 HB)

Product **Contacts: 8, cable plug connector, cable outlet 4 - 6 mm**

Area **Bayonet NCC Series**  
 Article number **99 0771 401 08**

Item description



Installation instructions / Mounting cutout

1. Abmanteln auf L = 9mm. Ummantelung abstreifen.
2. Druckschraube, Klemmkorb, Dichtring und Abstandshülse auf Kabel aufdübeln.
3. Litzen absisolieren (L = 3mm) und verzinnen.
4. Einsätze einlöten.
5. Bajonettadapter am Gewinde der Abstandshülse aufsetzen und mit leichtem Druck in Pfeilrichtung festschrauben.
6. Den Klemmkorb über den Dichtring bis auf Anschlag aufschieben.
7. Mit Druckschraube Klemm-, dichteinheit gegen Abstandshülse drücken und festschrauben.

1. Strip to 9mm length and take off the cable jacket.
2. Bead pressing screw, pinch ring, seal and distance sleeve to cable.
3. Strip the insulation off the wires (L = 3mm) and tin them.
4. Solder inserts.
5. Put bayonet adapter to the thread of the distance sleeve and screw it with slight pressure in the direction of the arrow.
6. Push pinch ring over sealing ring to block.
7. Push pressing screw together with clamp-sealing unit towards distance sleeve and screw tightly.

