
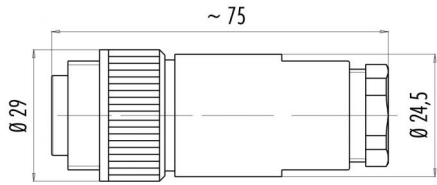
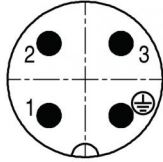


Product	Contacts 3+PE: Cable plug connector with pinch ring, PG 16	Area	RD24 Power Series 692/693
Pole	3+PE	Article number	99 0209 160 04

Illustration	Scale drawing	Contact Arrangement															
		 <table border="1" style="margin-left: 20px;"> <thead> <tr> <th></th> <th>X</th> <th>Y</th> </tr> </thead> <tbody> <tr> <td>1</td> <td>-3,18</td> <td>-3,18</td> </tr> <tr> <td>2</td> <td>-3,18</td> <td>3,18</td> </tr> <tr> <td>3</td> <td>3,18</td> <td>3,18</td> </tr> <tr> <td>PE</td> <td>3,18</td> <td>-3,18</td> </tr> </tbody> </table>		X	Y	1	-3,18	-3,18	2	-3,18	3,18	3	3,18	3,18	PE	3,18	-3,18
	X	Y															
1	-3,18	-3,18															
2	-3,18	3,18															
3	3,18	3,18															
PE	3,18	-3,18															

You can find the item description on the next page.

Technical data

Common values

Connector Design	Cable plug connector
Connector locking system	screw
Termination	Screwing
Wire gauge (mm)	0.5 -2.5 mm ²
Wire gauge (AWG)	20-14
Cable outlet	12 - 14 mm
Upper temperature	100 °C
Lower temperature	-40 °C

Electrical values

Rated voltage	400 V
Rated impulse voltage	6000 V
Pollution degree	3
Overvoltage category	III
Material group	III
Rated current (40°C)	16 A
Volume resistivity	≤ 5 mΩ
EMV compliance	not shielded
Degree of protection	IP67
Mechanical operation	> 500 mating cycles

Material

Material of contact	CuZn (Brass)
Contact plating	Ag (Silver)
Material of contact body	PBT (UL 94 V-0)
Material of housing	PBT (UL 94 V-0)

Contacts 3+PE: Cable plug connector with pinch ring, PG 16, screw

Product sheet
Output connector

Product	Contacts 3+PE: Cable plug connector with pinch ring, PG 16 3+PE	Area	RD24 Power Series 692/693
Pole		Article number	99 0209 160 04

Item description

