

Product sheet

Subminiature connector

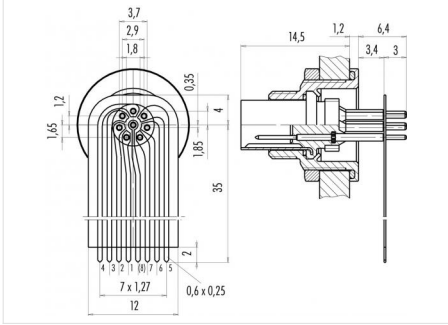


Product	Contacts: 8, Male panel mount connector with flexible printed circuit board (PCB)	Area	M9 IP67 Series 712/702
Pole	8	Article number	09 0427 65 08

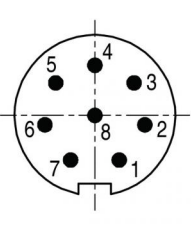
Illustration



Scale drawing



Contact Arrangement



	X	Y
1	0,90	-1,65
2	1,85	-0,35
3	1,45	1,20
4	0,00	1,85
5	-1,45	1,20
6	-1,85	-0,35
7	-0,90	-1,65
8	0,00	0,00

You can find the assembly instruction on the next page.

Technical data

Common values

Connector Design	Male panel mount connector
Connector locking system	screw
Termination	dip-solder
Wire gauge (mm)	-
Wire gauge (AWG)	-
Cable outlet	-
Upper temperature	85 °C
Lower temperature	-40 °C

Cable data

material housing	-
Insulation single lead	-
Single lead structure	-
Conductor resistance	-

Electrical values

Rated voltage	125 V
Rated impulse voltage	1500 V
Pollution degree	1
Overvoltage category	II
Material group	III
Rated current (40°C)	1 A
Volume resistivity	≤ 3 mΩ
EMV compliance	-
Degree of protection	IP67
Mechanical operation	> 500 mating cycles

Material

Material of contact	CuZn (Brass)
Contact plating	Au (Gold)
Material of contact body	PA (UL 94 V-0)
Material of housing	CuZn (Brass nickel-plated)

Contacts: 8, Male panel mount connector with flexible printed circuit board (PCB)

Product

**Contacts: 8, Male panel mount connector
with flexible printed circuit board (PCB)
8**

Area
Article number

**M9 IP67 Series 712/702
09 0427 65 08**

Pole

Installation instructions / Mounting cutout

