

# Product sheet

## Subminiature connector

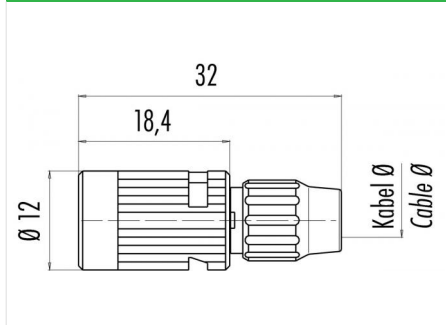


Product Pole	<b>Contacts: 3, female cable connector</b> 3	Area Article number	<b>Bayonet IP40 Series 710</b> 99 0976 100 03
--------------	---	---------------------	--

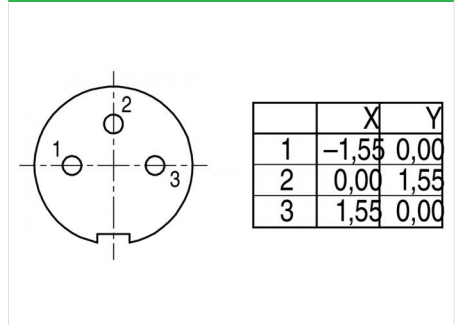
### Illustration



### Scale drawing



### Contact Arrangement



You can find the item description on the next page.

## Technical data

### Common values

Connector Design	Female cable connector
Connector locking system	Bayonet
Termination	Solder
Wire gauge (mm)	0.25 mm <sup>2</sup>
Wire gauge (AWG)	24
Cable outlet	3 - 4 mm
Upper temperature	85 °C
Lower temperature	-40 °C

### Cable data

material housing	-
Insulation single lead	-
Single lead structure	-
Conductor resistance	-

### Electrical values

Rated voltage	125 V
Rated impulse voltage	1500 V
Pollution degree	1
Overvoltage category	II
Material group	III
Rated current (40°C)	4 A
Volume resistivity	≤ 3 mΩ
EMV compliance	not shieldable
Degree of protection	IP40
Mechanical operation	> 500 mating cycles

### Material

Material of contact	CuSn (Bronze)
Contact plating	Au (Gold)
Material of contact body	PA (UL 94 V-0)
Material of housing	PA (UL 94 HB)

Contacts: 3, female cable connector, cable outlet 3 -4 mm

Product  
Pole

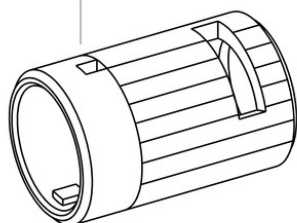
Contacts: 3, female cable connector  
3

Area  
Article number

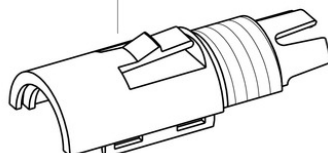
Bayonet IP40 Series 710  
99 0976 100 03

### Item description

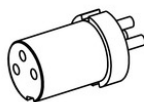
Gewinding Dose  
connection ring female connector



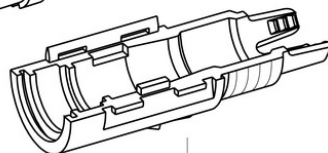
Trägerhalbschale-Oberteil (schwarz)  
carrier sleeve part 1 (black)



Buchseneinsatz  
female insert



Trägerhalbschale-Unterteil (grau)  
carrier sleeve part 2 (grey)



Druckschraube  
pressing screw

