
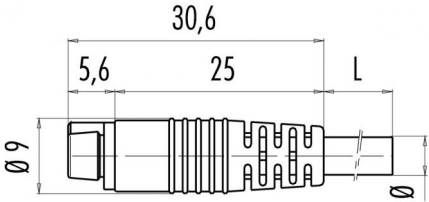



Product sheet

Subminiature connector



Product	Contacts: 3, Female cable connector overmoulded on cable	Area	Snap-in IP40 Series 709
Pole	3	Article number	79 9002 15 03

Illustration	Scale drawing	Contact Arrangement						
		 <table style="margin-left: 20px;"> <tr> <td>1</td> <td>braun/brown</td> </tr> <tr> <td>2</td> <td>blau/blue</td> </tr> <tr> <td>3</td> <td>schwarz/black</td> </tr> </table>	1	braun/brown	2	blau/blue	3	schwarz/black
1	braun/brown							
2	blau/blue							
3	schwarz/black							

Technical data

Common values

Connector Design	Female cable connector
Connector locking system	Snap
Termination	overmoulded on cable
Wire gauge (mm)	0.25 mm ²
Wire gauge (AWG)	24
Cable outlet	-
Upper temperature	70 °C
Lower temperature	-20 °C

Electrical values

Rated voltage	60 V
Rated impulse voltage	800 V
Pollution degree	1
Overvoltage category	II
Material group	III
Rated current (40°C)	3 A
Volume resistivity	≤ 3 mΩ
EMV compliance	not shielded
Degree of protection	IP40
Mechanical operation	> 100 mating cycles

Cable data

material housing	PVC
Insulation single lead	PVC
Single lead structure	32 x 0.10 mm
Cable sheath Ø	4.5
Conductor resistance	80Ω/Km (20°C)
Bending radius cable fixed	22 mm
Bending radius cable movable	45 mm
Cable diameter	4.5

Material

Material of contact	CuSn (Bronze)
Contact plating	Au (Gold)
Material of contact body	PA
Material of housing	PUR

Contacts: 3, Female cable connector overmoulded, cable length 5 m