

Product **Contacts: 12, Male panel mount connector with single wires, screwed from front, M16 1.5**
 Area **M12-A Series 713/763**
 Article number **76 0631 1111 00012-0200**

Illustration	Scale drawing	Contact Arrangement																																																				
		<table border="1" style="margin: 10px auto;"> <thead> <tr> <th></th> <th>X</th> <th>Y</th> <th></th> </tr> </thead> <tbody> <tr><td>1</td><td>2,80</td><td>0,78</td><td>1 braun/brown</td></tr> <tr><td>2</td><td>0,78</td><td>2,80</td><td>2 blau/blue</td></tr> <tr><td>3</td><td>-1,09</td><td>2,69</td><td>3 weiß/white</td></tr> <tr><td>4</td><td>-2,51</td><td>1,46</td><td>4 grün/green</td></tr> <tr><td>5</td><td>-2,88</td><td>-0,37</td><td>5 rosa/pink</td></tr> <tr><td>6</td><td>-2,05</td><td>-2,05</td><td>6 gelb/yellow</td></tr> <tr><td>7</td><td>-0,37</td><td>-2,88</td><td>7 schwarz/black</td></tr> <tr><td>8</td><td>1,46</td><td>-2,51</td><td>8 grau/grey</td></tr> <tr><td>9</td><td>2,69</td><td>-1,09</td><td>9 rot/red</td></tr> <tr><td>10</td><td>0,78</td><td>0,78</td><td>10 violett/purple</td></tr> <tr><td>11</td><td>-1,06</td><td>0,29</td><td>11 grau/rosa/grey/pink</td></tr> <tr><td>12</td><td>0,29</td><td>-1,06</td><td>12 rot/blau/red/blue</td></tr> </tbody> </table> <p style="font-size: small; text-align: center;">Geschirmte Versionen: Schirm auf Gehäuse Shielded versions: shield on housing</p>		X	Y		1	2,80	0,78	1 braun/brown	2	0,78	2,80	2 blau/blue	3	-1,09	2,69	3 weiß/white	4	-2,51	1,46	4 grün/green	5	-2,88	-0,37	5 rosa/pink	6	-2,05	-2,05	6 gelb/yellow	7	-0,37	-2,88	7 schwarz/black	8	1,46	-2,51	8 grau/grey	9	2,69	-1,09	9 rot/red	10	0,78	0,78	10 violett/purple	11	-1,06	0,29	11 grau/rosa/grey/pink	12	0,29	-1,06	12 rot/blau/red/blue
	X	Y																																																				
1	2,80	0,78	1 braun/brown																																																			
2	0,78	2,80	2 blau/blue																																																			
3	-1,09	2,69	3 weiß/white																																																			
4	-2,51	1,46	4 grün/green																																																			
5	-2,88	-0,37	5 rosa/pink																																																			
6	-2,05	-2,05	6 gelb/yellow																																																			
7	-0,37	-2,88	7 schwarz/black																																																			
8	1,46	-2,51	8 grau/grey																																																			
9	2,69	-1,09	9 rot/red																																																			
10	0,78	0,78	10 violett/purple																																																			
11	-1,06	0,29	11 grau/rosa/grey/pink																																																			
12	0,29	-1,06	12 rot/blau/red/blue																																																			

You can find the assembly instruction on the next page.

Technical data

General features

Connector Design	male panel mount connector
Connector locking system	bolted
Termination	Strands
Wire gauge (mm)	0,14 mm ²
Wire gauge (AWG)	26
Upper temperature	85 °C
Lower temperature	-40 °C

Cable data

Approval 1	UL
------------	----

Electrical parameters

Rated voltage	30 V
Rated impulse voltage	800 V
Pollution degree	3
Overvoltage category	II
Material group	II
Rated current (40°C)	2 A
Volume resistivity	≤ 3 mΩ
EMV compliance	not shielded
Degree of protection	IP68
Mechanical operation	> 100 Mating cycles

Material

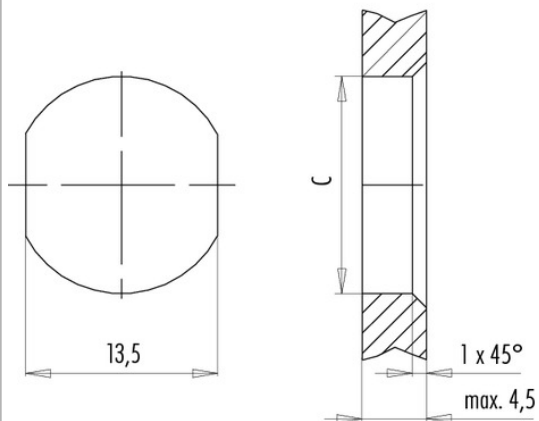
Material of contact	CuZn (Messing)
Contact plating	Au (gold)
Material of contact body	PA

Product **Contacts: 12, Male panel mount connector with single wires, screwed from front, M16 1.5**
 Area **M12-A Series 713/763**
 Article number **76 0631 1111 00012-0200**

Installation instructions / Mounting cutout

Mit Fläche als Verdrehenschutz
With flats as anti-rotation device

Mit Durchgangsbohrung
With bore hole



	C
PG 9	15,3
M16x1,5	16,1

Anzugsdrehmoment/Tightening moment

Metallgehäuse/Metal housing 6,25 Nm
 Kunststoffgehäuse/Plastic housing 3,75 Nm