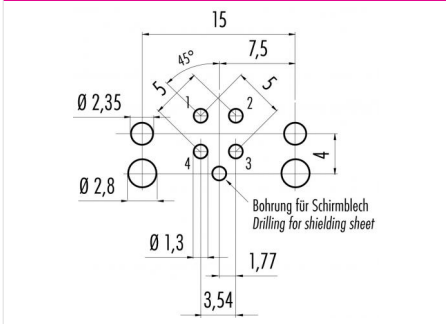


Product	<b>Contacts: 4, Integrated socket for PCB mounting, angled, with UL approval</b>	Area	<b>M12-D, M12-X Series 825/876 D-coding</b>
Pole	<b>4</b>	Article number	<b>99 3732 202 04</b>

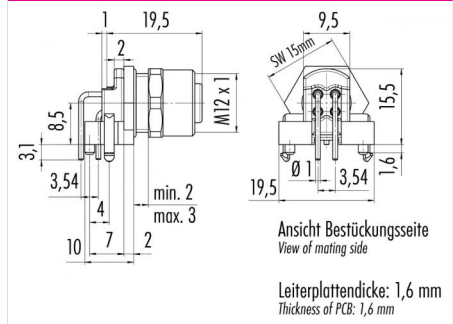
**Illustration**



**Conductor layout**



**Scale drawing**



You can find the assembly instruction on the next page.

**Technical data**

**Common values**

Connector Design	Female panel mount connector
Connector locking system	screw
Termination	dip-solder
Wire gauge (mm)	-
Wire gauge (AWG)	-
Upper temperature	85 °C
Lower temperature	-40 °C

**Electrical values**

Rated voltage	250 V
Rated impulse voltage	2500 V
Pollution degree	3
Overvoltage category	II
Material group	II
Volume resistivity	≤ 3 mΩ
EMV compliance	not shielded
Degree of protection	IP67
Mechanical operation	> 100 mating cycles

**Cable data**

material housing	-
Insulation single lead	-
Single lead structure	-
Conductor resistance	-
Bending radius cable fixed	-
Bending radius cable movable	-

**Material**

Material of contact	CuSn (Bronze)
Contact plating	Au (Gold)
Material of contact body	PA
Material of housing	CuZn (Brass nickel-plated)

Contacts: 4, Integrated socket for PCB mounting, angled, with UL approval

Product

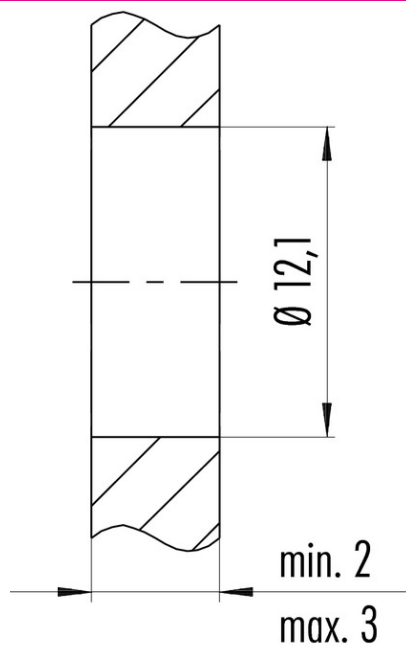
Contacts: 4, Integrated socket for PCB mounting, angled, with UL approval  
4

Area  
Article number

M12-D, M12-X Series 825/876 D-coding  
99 3732 202 04

Pole

Installation instructions / Mounting cutout



Anzugsdrehmoment / *Tightening moment*  
M12 x 1      6,25 Nm