

Product	<b>Contacts 4: Male angled connector, shieldable with wire clamp connection, static ring version</b>	Area	<b>M12-A Series 713</b>
Pole	<b>4</b>	Article number	<b>99 1525 822 04</b>

Illustration	Scale drawing	Contact Arrangement															
		<table border="1" style="margin-left: 20px;"> <thead> <tr> <th></th> <th>X</th> <th>Y</th> </tr> </thead> <tbody> <tr> <td>1</td> <td>2,50</td> <td>0,00</td> </tr> <tr> <td>2</td> <td>0,00</td> <td>2,50</td> </tr> <tr> <td>3</td> <td>-2,50</td> <td>0,00</td> </tr> <tr> <td>4</td> <td>0,00</td> <td>-2,50</td> </tr> </tbody> </table>		X	Y	1	2,50	0,00	2	0,00	2,50	3	-2,50	0,00	4	0,00	-2,50
	X	Y															
1	2,50	0,00															
2	0,00	2,50															
3	-2,50	0,00															
4	0,00	-2,50															

You can find the item description on the next page.

## Technical data

### Common values

Connector Design	Male angled connector
Connector locking system	screw
Termination	Wire tension spring
Wire gauge (mm)	0.50 mm <sup>2</sup>
Wire gauge (AWG)	20
Cable outlet	6 - 8 mm
Upper temperature	85 °C
Lower temperature	-40 °C

### Electrical values

Rated voltage	250 V
Rated impulse voltage	2500 V
Pollution degree	3
Overvoltage category	II
Material group	III
Rated current (40°C)	4 A
Volume resistivity	≤ 3 mΩ
EMV compliance	geschirmt
Degree of protection	IP67
Mechanical operation	> 100 mating cycles

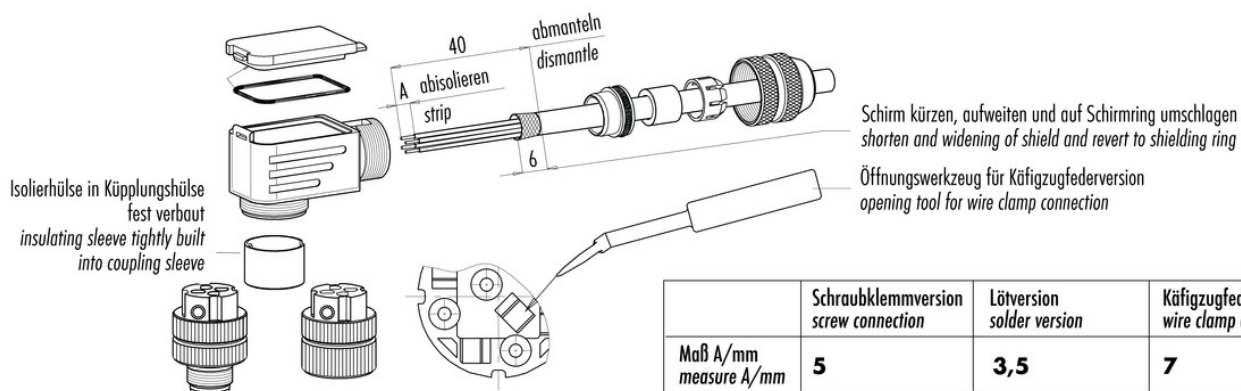
### Material

Material of contact	CuSn (Bronze)
Contact plating	Au (Gold)
Material of contact body	PA
Material of housing	Nickel-plated zinc die casting, PBT

Contacts 4: cable outlet: 6-8 mm, male angled connector, shieldable with wire clamp connection, static ring version, with die-cast threaded ring

Product	<b>Contacts 4: Male angled connector, shieldable with wire clamp connection, static ring version</b>	Area	<b>M12-A Series 713</b>
Pole	<b>4</b>	Article number	<b>99 1525 822 04</b>

### Item description



Isolierhülse in Kupplungshülse fest verbaut  
insulating sleeve tightly built into coupling sleeve

40 abmanteln  
strip dismantle

A abisolieren  
strip

6

Schirm kürzen, aufweiten und auf Schirmring umschlagen  
shorten and widening of shield and revert to shielding ring

Öffnungswerkzeug für Käfigzugfederversion  
opening tool for wire clamp connection

	Schraubklemmversion screw connection	Lötversion solder version	Käfigzugfederversion wire clamp connection
Maß A/mm measure A/mm	<b>5</b>	<b>3,5</b>	<b>7</b>