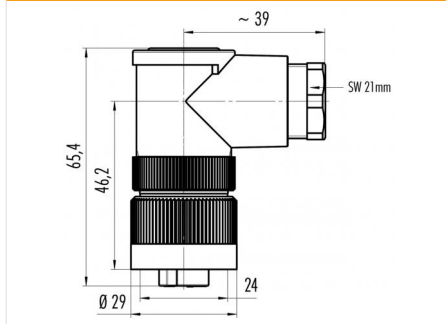


Product	Contacts 6+PE: Female angled connector, PG 13.5	Area	RD24 Power Series 692/693
Pole	6+PE	Article number	99 0214 215 07

Illustration



Scale drawing



Contact Arrangement

	X	Y
1	3,25	-3,54
2	4,76	0,63
3	2,22	4,26
4	-2,22	4,26
5	-4,76	0,63
6	-3,25	-3,54
PE	0,00	0,50

You can find the item description on the next page.

Technical data

Common values

Connector Design	Female angled connector
Connector locking system	screw
Termination	Solder
Wire gauge (mm)	0.75 mm ²
Wire gauge (AWG)	18
Cable outlet	10 - 12 mm
Upper temperature	100 °C
Lower temperature	-40 °C

Electrical values

Rated voltage	250 V
Rated impulse voltage	4000 V
Pollution degree	3
Overvoltage category	III
Material group	III
Rated current (40°C)	10 A
Volume resistivity	≤ 5 mΩ
EMV compliance	nicht geschirmt
Degree of protection	IP67
Mechanical operation	> 500 mating cycles

Material

Material of contact	CuSn (Bronze), CuZn (Brass)
Contact plating	Ag (Silver)
Material of contact body	PBT (UL 94 V-0)
Material of housing	PBT (UL 94 V-0)

Contacts 6+PE: Female angled connector, PG 13.5, solder

Product

**Contacts 6+PE: Female angled connector,
PG 13.5
6+PE**

Area
Article number

**RD24 Power Series 692/693
99 0214 215 07**

Pole

Item description

