

# Product sheet

## Output connector

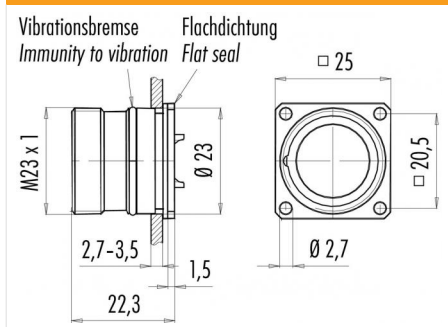


Product	<b>Contacts: 12, Female panel mount connector, back-panel mount (the pin and socket insert counter-rotate in right and left turning models)</b>	Area	<b>M23 Power Series 623</b>
Pole	<b>12</b>	Article number	<b>99 4608 80 12</b>

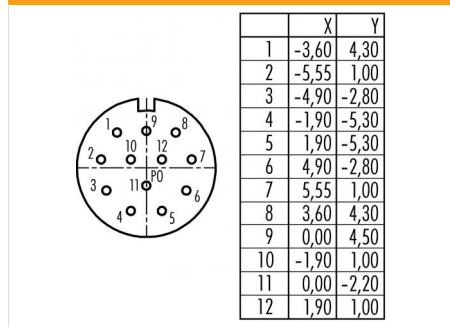
### Illustration



### Scale drawing



### Contact Arrangement



## Technical data

### Common values

Connector Design	Female panel mount connector
Connector locking system	screw
Termination	Solder
Wire gauge (mm)	1.00 mm <sup>2</sup>
Wire gauge (AWG)	18
Cable outlet	-
Upper temperature	125 °C
Lower temperature	-20 °C

### Electrical values

Rated voltage	150 V
Rated impulse voltage	1500 V
Pollution degree	3
Overvoltage category	II
Material group	III
Rated current (40°C)	8 A
Volume resistivity	≤ 3 mΩ
EMV compliance	not shielded
Degree of protection	IP67
Mechanical operation	> 50 mating cycles

### Material

Material of contact	CuSn (Bronze)
Contact plating	Au (Gold)
Material of contact body	PBT/PA66
Material of housing	Nickel-plated zinc die casting

Contacts: 12, Female panel mount connector, back-panel mount, right-turning