

# Product sheet

## Miniature connector

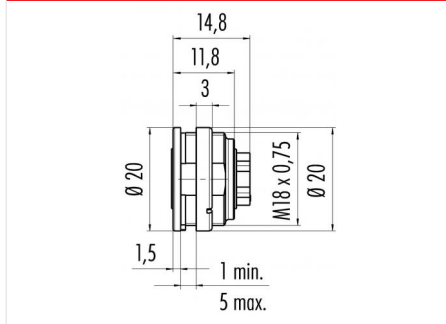


Product	<b>Contacts: 8 DIN, female panel mount connector, crimp</b>	Area	<b>M16 IP40 Series 581/ 680/ 682</b>
Pole	<b>8 DIN</b>	Article number	<b>09 0474 700 08</b>

### Illustration



### Scale drawing



### Contact Arrangement

	X	Y
1	-3,50	0,00
2	0,00	3,50
3	3,50	0,00
4	-2,47	2,47
5	2,47	2,47
6	-2,47	-2,47
7	2,47	-2,47
8	0,00	-0,70

You can find the assembly instruction on the next page.

## Technical data

### Common values

Connector Design	Female panel mount connector
Connector locking system	screw
Termination	Crimp
Wire gauge (mm)	see crimp contacts under accessories
Cable outlet	-
Upper temperature	85 °C
Lower temperature	-40 °C

### Electrical values

Rated voltage	60 V
Rated impulse voltage	500 V
Pollution degree	1
Overvoltage category	I
Material group	III
Rated current (40°C)	5 A
Volume resistivity	≤ 5 mΩ
EMV compliance	not shielded
Degree of protection	IP40
Mechanical operation	> 500 mating cycles

### Material

Material of contact	CuZn (Brass)
Contact plating	Ag (Silver)
Material of contact body	PBT (UL 94 V-0)
Material of housing	CuZn (Brass nickel-plated)

Contacts: 8 DIN, female panel mount connector, crimp

Product	<b>Contacts: 8 DIN, female panel mount connector, crimp</b>	Area	<b>M16 IP40 Series 581/ 680/ 682</b>
Pole	<b>8 DIN</b>	Article number	<b>09 0474 700 08</b>

Installation instructions / Mounting cutout

