

# Product sheet

## Miniature connector

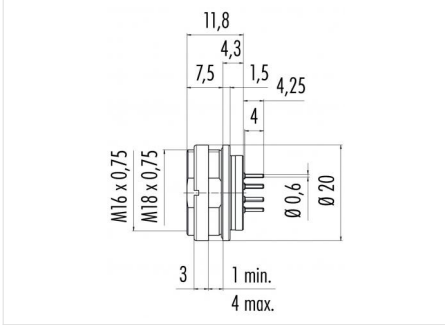


Product	<b>Contacts: 16, Female panel mount connector, dip-solder, screwed from front, 12 - 19 contacts, with UL approval</b>	Area	<b>M16 IP67 Series 423/ 723/ 425</b>
Pole	<b>16</b>	Article number	<b>09 0508 90 16</b>

### Illustration



### Scale drawing



**You can find the assembly instruction on the next page.**

## Technical data

### Common values

Connector Design	Female panel mount connector
Connector locking system	screw
Termination	dip-solder
Wire gauge (mm)	-
Wire gauge (AWG)	-
Upper temperature	95 °C
Lower temperature	-40 °C

### Electrical values

Rated voltage	60 V
Rated impulse voltage	500 V
Pollution degree	1
Overvoltage category	I
Material group	III
Rated current (40°C)	3 A
Volume resistivity	≤ 3 mΩ
EMV compliance	shielded
Degree of protection	IP67
Mechanical operation	> 500 mating cycles

### Material

Material of contact	CuSn (Bronze)
Contact plating	Au (Gold)
Material of contact body	PBT (UL 94 V-0)
Material of housing	Nickel-plated zinc die casting

**Contacts: 16, Female panel mount connector, dip-solder, screwed from front, 12 - 19 contacts, gold plated contacts, with UL approval**



**Product sheet**  
**Miniature connector**



Product	<b>Contacts: 16, Female panel mount connector, dip-solder, screwed from front, 12 - 19 contacts, with UL approval</b>	Area Article number	<b>M16 IP67 Series 423/ 723/ 425</b> <b>09 0508 90 16</b>
Pole	16		

**Installation instructions / Mounting cutout**

