

Product sheet
Miniature connector

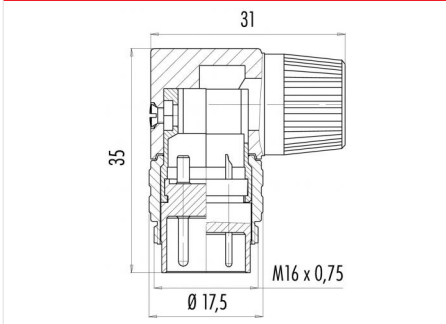


Product	Contacts: 6 DIN, Male angled connector, cable outlet 6 - 8 mm, plastic model	Area	M16 IP40 Series 682
Pole	6 DIN	Article number	09 0143 78 06

Illustration



Scale drawing



Contact Arrangement

	X	Y
1	3,03	-1,75
2	3,03	1,75
3	0,00	3,50
4	-3,03	1,75
5	-3,03	-1,75
6	0,00	0,00

You can find the item description on the next page.

Technical data

Common values

Connector Design	Male angled connector
Connector locking system	screw
Termination	Solder
Wire gauge (mm)	0.75 mm ²
Wire gauge (AWG)	20
Cable outlet	6 - 7.8 mm
Upper temperature	85 °C
Lower temperature	-40 °C

Electrical values

Rated voltage	250 V
Rated impulse voltage	1500 V
Pollution degree	1
Overvoltage category	I
Material group	III
Rated current (40°C)	5 A
Volume resistivity	≤ 3 mΩ
EMV compliance	not shielded
Degree of protection	IP40
Mechanical operation	> 500 mating cycles

Material

Material of contact	CuZn (Brass)
Contact plating	Au (Gold)
Material of contact body	PBT (UL 94 V-0)
Material of housing	PA (UL 94 HB)

Contacts: 6 DIN, Male angled connector, cable outlet 6 - 8 mm, plastic model, gold plated contacts

Product sheet
Miniature connector



Product

**Contacts: 6 DIN, Male angled connector,
cable outlet 6 - 8 mm, plastic model
6 DIN**

Area
Article number

**M16 IP40 Series 682
09 0143 78 06**

Pole

Item description

