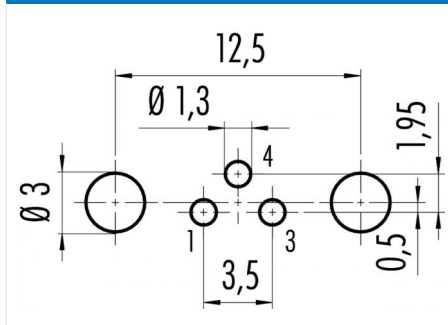


| | | | |
|---------|---|----------------|--------------------------|
| Product | Contacts: 3, male panel mount connector angled, front mounting, with shielding sheet, dip-solder | Area | M8 Series 768/718 |
| Pole | 3 | Article number | 09 3419 82 03 |

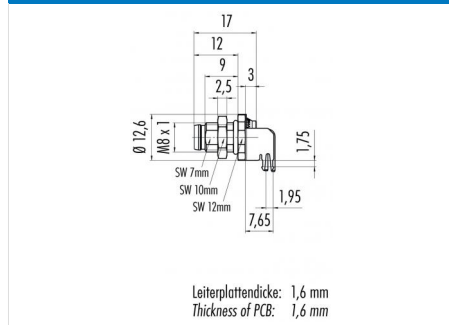
Illustration



Conductor layout



Scale drawing



You can find the assembly instruction on the next page.

Technical data

Common values

| | |
|--------------------------|----------------------------|
| Connector Design | Male panel mount connector |
| Connector locking system | screw |
| Termination | dip-solder |
| Wire gauge (mm) | - |
| Wire gauge (AWG) | - |
| Upper temperature | 85 °C |
| Lower temperature | -40 °C |

Electrical values

| | |
|-----------------------|--------|
| Rated voltage | 60 V |
| Rated impulse voltage | 800 V |
| Pollution degree | 3 |
| Overvoltage category | II |
| Material group | II |
| Rated current (40°C) | 4 A |
| Volume resistivity | ≤ 3 mΩ |
| Degree of protection | IP67 |

Material

| | |
|--------------------------|--------------------------------|
| Material of contact | CuZn (Brass) |
| Contact plating | Au (Gold) |
| Material of contact body | PA (UL 94 HB) |
| Material of housing | Nickel-plated zinc die casting |

Contacts: 3, male panel mount connector angled, front mounting, with shielding sheet

Product

Contacts: 3, male panel mount connector angled, front mounting, with shielding sheet, dip-solder

Area
Article number

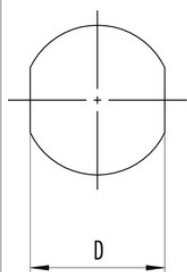
**M8 Series 768/718
09 3419 82 03**

Pole

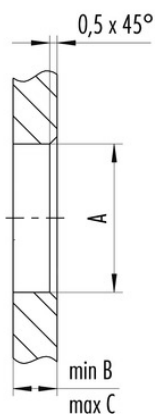
3

Installation instructions / Mounting cutout

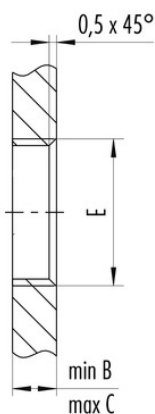
Mit Fläche als Verdrehschutz
With flats as anti-rotation device



Mit Durchgangsbohrung
With bore hole



Mit Gewinde, einschraubbar
With thread to screw in



| Gewinde E/thread E | A | B | C | D |
|--------------------|------|-----|-----|------|
| M8 x 0,5 | 8,1 | 2,0 | 4,5 | 7,1 |
| M10 x 0,75 | 10,1 | 2,0 | 6,5 | 9,1 |
| M12 x 1 | 12,1 | 2,5 | 4,5 | 10,0 |

Anzugsdrehmoment/Tightening moment 1 Nm