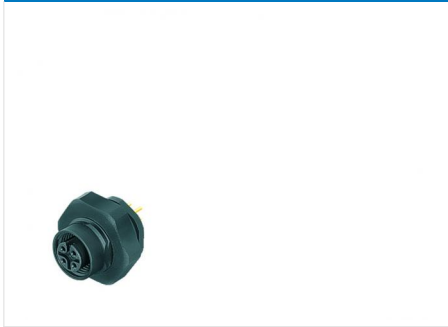
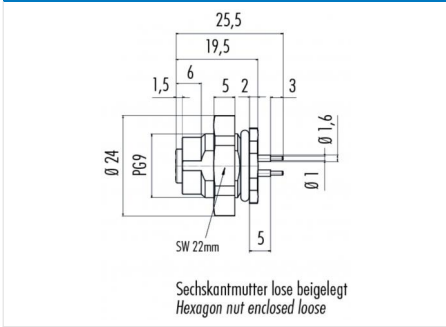


Product **Contacts: 5, Female panel mount connector, plastic housing, screwed from front, dip-soldered, PG 9**
 Area **M12-A Series 713/763**
 Article number **86 4832 3000 00005**

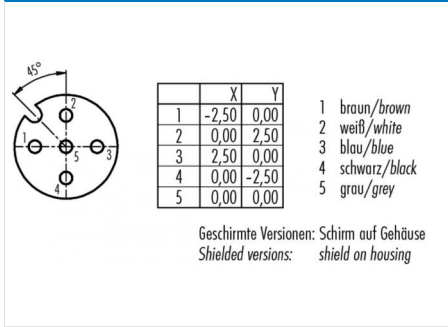
Illustration



Scale drawing



Contact Arrangement



You can find the assembly instruction on the next page.

Technical data

General features

Connector Design female panel mount connector
 Connector locking system bolted
 Termination dip-solder
 Wire gauge (mm) 0,25 mm²
 Wire gauge (AWG) 24
 Upper temperature 85 °C
 Lower temperature -40 °C

Electrical parameters

Rated voltage 60 V
 Rated impulse voltage 1500 V
 Pollution degree 3
 Overvoltage category II
 Material group II
 Rated current (40°C) 4A (UL 3A)
 Volume resistivity ≤ 3 mΩ
 EMV compliance not shielded
 Degree of protection IP67
 Mechanical operation > 100 Mating cycles

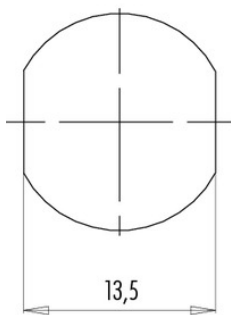
Material

Material of contact CuSn (Bronze)
 Contact plating Au (gold)
 Material of contact body PA

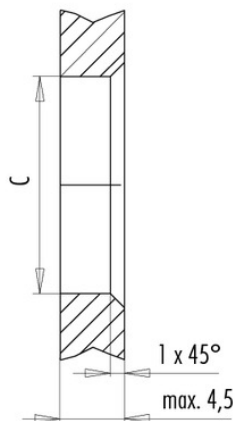
Product **Contacts: 5, Female panel mount connector, plastic housing, screwed from front, dip-soldered, PG 9**
 Area **M12-A Series 713/763**
 Article number **86 4832 3000 00005**

Installation instructions / Mounting cutout

Mit Fläche als Verdrehschutz
With flats as anti-rotation device



Mit Durchgangsbohrung
With bore hole



	C
PG 9	15,3
M16x1,5	16,1

Anzugsdrehmoment/Tightening moment

Metallgehäuse/Metal housing 6,25 Nm
 Kunststoffgehäuse/Plastic housing 3,75 Nm