

Product	Contacts: 4+PE, Cable plug connector with UL approval, with die-cast threaded ring, with pin marking in connecting area, cable outlet 6 – 8 mm, 10 - 12 mm, 4+PE	Area Article number	7/8" Series 820 99 2445 33 05
Pole			

Illustration	Scale drawing	Contact Arrangement																														
	<table border="1" style="margin: 10px auto;"> <tr> <th colspan="2">A</th> <th colspan="2">B</th> </tr> <tr> <td>6-8mm</td> <td>SW 16mm</td> <td>6-8mm</td> <td>SW 19mm</td> </tr> <tr> <td>10-12mm</td> <td>SW 21mm</td> <td>10-12mm</td> <td>SW 24mm</td> </tr> </table>	A		B		6-8mm	SW 16mm	6-8mm	SW 19mm	10-12mm	SW 21mm	10-12mm	SW 24mm	<table border="1" style="margin: 10px auto;"> <tr> <td></td> <td>X</td> <td>Y</td> </tr> <tr> <td>1</td> <td>3,94</td> <td>-2,28</td> </tr> <tr> <td>2</td> <td>3,94</td> <td>2,28</td> </tr> <tr> <td>3/⊕</td> <td>-</td> <td>4,54</td> </tr> <tr> <td>4</td> <td>-3,94</td> <td>2,28</td> </tr> <tr> <td>5</td> <td>-3,94</td> <td>-2,28</td> </tr> </table> <p style="font-size: small;"> 1 schwarz/black 2 blau/blue 3 grün/gelb/green/yellow 4 braun/brown 5 weiß/white </p>		X	Y	1	3,94	-2,28	2	3,94	2,28	3/⊕	-	4,54	4	-3,94	2,28	5	-3,94	-2,28
A		B																														
6-8mm	SW 16mm	6-8mm	SW 19mm																													
10-12mm	SW 21mm	10-12mm	SW 24mm																													
	X	Y																														
1	3,94	-2,28																														
2	3,94	2,28																														
3/⊕	-	4,54																														
4	-3,94	2,28																														
5	-3,94	-2,28																														

You can find the item description and assembly instruction on the next page.

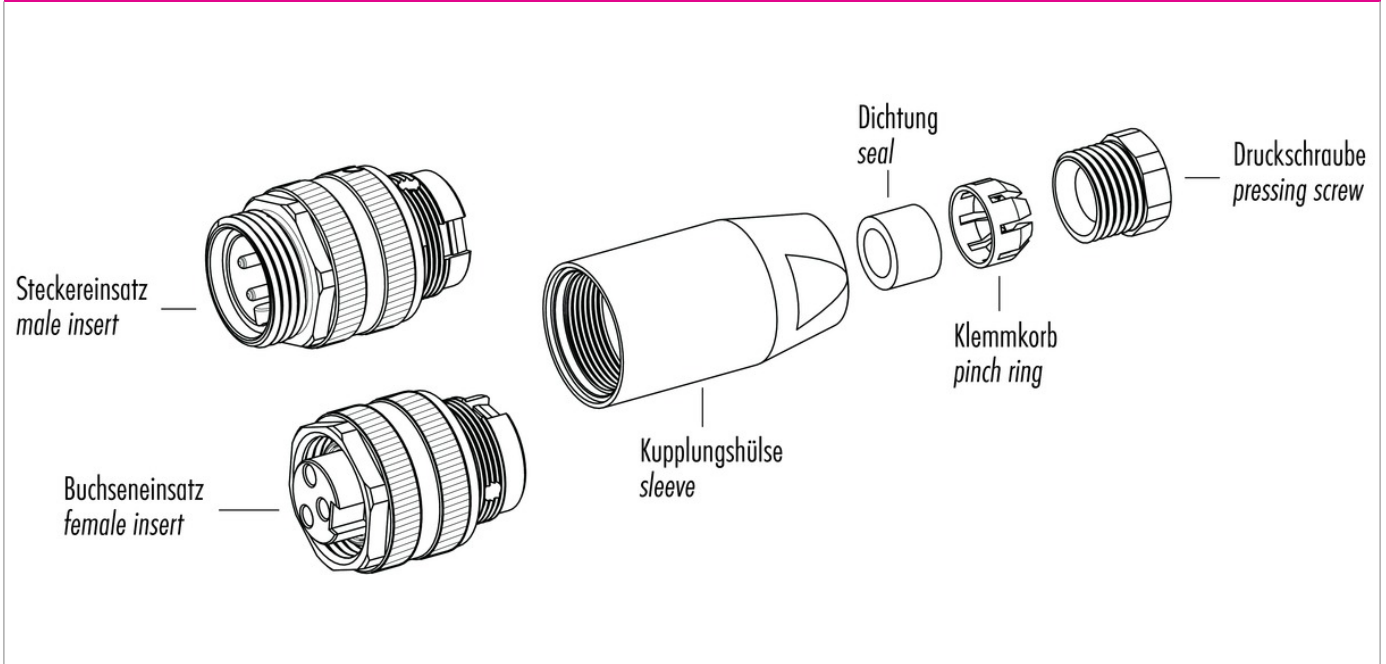
Technical data

<h3 style="color: #e91e63; margin: 0;">Common values</h3> <p>Connector Design Cable plug connector Connector locking system Screws 7/8" - 16 UN Termination schrauben Wire gauge (mm) max. 2.5 mm² Wire gauge (AWG) max. 14 Cable outlet 10 - 12 mm Upper temperature 85 °C Lower temperature -25 °C</p>	<h3 style="color: #e91e63; margin: 0;">Electrical values</h3> <p>Rated voltage 300 V Rated impulse voltage 4000 V Pollution degree 3 Overvoltage category III Material group III Rated current (40°C) 9 A Volume resistivity ≤ 3 mΩ EMV compliance - Degree of protection IP67 Mechanical operation > 50 mating cycles</p>	
<h3 style="color: #e91e63; margin: 0;">Cable data</h3> <p>material housing - Insulation single lead - Single lead structure - Conductor resistance - Bending radius cable fixed - Bending radius cable movable -</p>	<h3 style="color: #e91e63; margin: 0;">Material</h3> <p>Material of contact CuZn (Brass) Contact plating Au (Gold) Material of contact body PUR, PA (UL 94 HB) Material of housing PBT (UL 94 V-0)</p>	

cable outlet: 10 – 12 mm, cross-section 2.5 mm², Contacts: 4+PE, Cable plug connector with UL approval, with pin marking in connecting area

Product	Contacts: 4+PE, Cable plug connector with UL approval, with die-cast threaded ring, with pin marking in connecting area, cable outlet 6 - 8 mm, 10 - 12 mm, 4+PE	Area Article number	7/8" Series 820 99 2445 33 05
Pole			

Item description



Installation instructions / Mounting cutout

