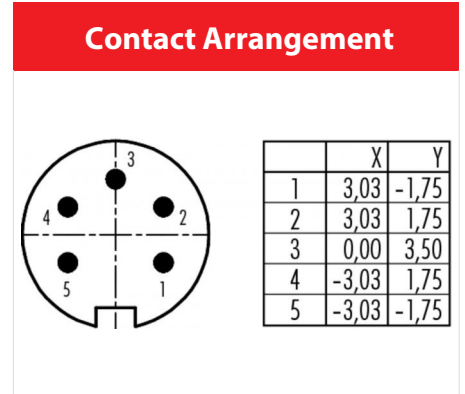
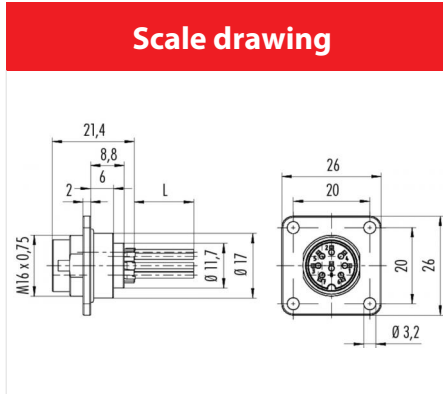


Product **Contacts: 5, Male panel mount connector, rectangular flange, with single wires**  
 Area **M16 IP67 Series 423/ 723/ 425**  
 Article number **09 0115 320 05**



**You can find the assembly instruction on the next page.**

## Technical data

### General features

Connector Design male panel mount connector  
 Connector locking system bolted  
 Termination Strands  
 Wire gauge (mm) 0,75 mm<sup>2</sup>  
 Wire gauge (AWG) 22  
 Upper temperature 85 °C  
 Lower temperature -30 °C

### Electrical parameters

Rated voltage 300 V  
 Rated impulse voltage 1500 V  
 Pollution degree 1  
 Overvoltage category I  
 Material group II  
 Rated current (40°C) 5 A  
 Volume resistivity ≤ 5 mΩ  
 Degree of protection IP67  
 Mechanical operation > 500 Mating cycles

### Material

Material of contact CuSn (Bronze)  
 Contact plating Ag (silver)  
 Material of contact body PBT (UL 94 V-0)

Product	Contacts: 5, Male panel mount connector, rectangular flange, with single wires
Area	M16 IP67 Series 423/ 723/ 425
Article number	09 0115 320 05

Installation instructions / Mounting cutout

