
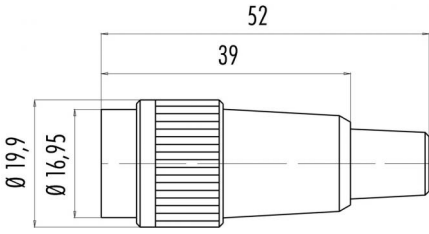
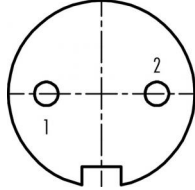


Product sheet
Miniature connector



Product	Contacts: 2, female cable connector, cable outlet 6 - 8 mm	Area	Bayonet IP40 Series 678
Pole	2	Article number	99 0602 02 02

Illustration	Scale drawing	Contact Arrangement									
		 <table border="1" style="margin-left: 20px;"> <thead> <tr> <th></th> <th>X</th> <th>Y</th> </tr> </thead> <tbody> <tr> <td>1</td> <td>-3,50</td> <td>0,00</td> </tr> <tr> <td>2</td> <td>3,50</td> <td>0,00</td> </tr> </tbody> </table>		X	Y	1	-3,50	0,00	2	3,50	0,00
	X	Y									
1	-3,50	0,00									
2	3,50	0,00									

You can find the item description on the next page.

Technical data

Common values

Connector Design	Female cable connector
Connector locking system	Bayonet
Termination	Solder
Wire gauge (mm)	0.75 mm ²
Wire gauge (AWG)	20
Cable outlet	6 - 8 mm
Upper temperature	85 °C
Lower temperature	-40 °C

Electrical values

Rated voltage	250 V
Rated impulse voltage	1500 V
Pollution degree	1
Overvoltage category	I
Material group	III
Rated current (40°C)	7 A
Volume resistivity	≤ 5 mΩ
EMV compliance	not shielded
Degree of protection	IP40
Mechanical operation	> 500 mating cycles

Material

Material of contact	CuSn (Bronze)
Contact plating	Ag (Silver)
Material of contact body	PBT (UL 94 V-0)
Material of housing	PA (UL 94 V-0)

Contacts: 2, female cable connector, cable outlet 6 - 8 mm

Product	Contacts: 2, female cable connector, cable outlet 6 - 8 mm	Area	Bayonet IP40 Series 678
Pole	2	Article number	99 0602 02 02

Item description

