

Product sheet

Miniature connector



Product
Pole

Contacts: 8 DIN, Cable plug connector
8 DIN

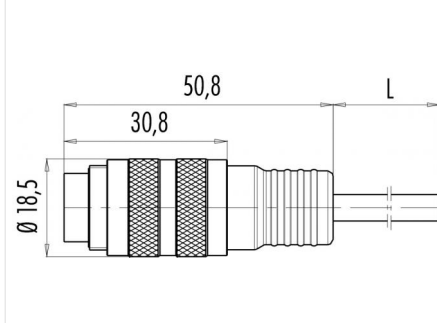
Area
Article number

M16 IP67 Series 425
79 6071 20 08

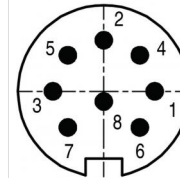
Illustration



Scale drawing



Contact Arrangement



- 1 weiß
- 2 braun
- 3 grün
- 4 gelb
- 5 grau
- 6 rosa
- 7 blau
- 8 rot

Technical data

Common values

Connector Design	Cable plug connector
Connector locking system	screw
Termination	solder, injection-moulded cable
Wire gauge (mm)	0.25 mm ²
Wire gauge (AWG)	24
Cable outlet	-
Upper temperature	70 °C
Lower temperature	-25 °C

Cable data

material housing	PUR
Insulation single lead	PVC
Single lead structure	32x0.1 mm
Cable sheath Ø	5.7
Bending radius cable fixed	57 mm
Bending radius cable movable	85 mm
Cable diameter	5.7

Electrical values

Rated voltage	60 V
Rated impulse voltage	500 V
Pollution degree	1
Overvoltage category	I
Material group	III
Rated current (40°C)	3 A
Volume resistivity	≤ 3 mΩ
EMV compliance	not shielded
Degree of protection	IP67
Mechanical operation	> 500 mating cycles

Material

Material of contact	CuZn (Brass)
Contact plating	Au (Gold)
Material of contact body	PBT (UL 94 V-0)
Material of housing	PUR

Contacts: 8 DIN, Cable: 8 x 0.25 mm², cable plug connector