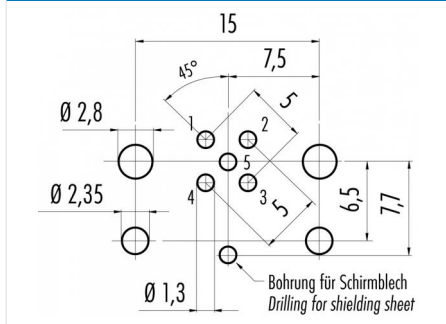


|         |  |                |                             |
|---------|--|----------------|-----------------------------|
| Product | <b>Contacts: 5, Integrated socket for PCB mounting, straight, with UL approval</b> | Area           | <b>M12-A Series 713/763</b> |
| Pole    | <b>5</b>   | Article number | <b>99 3442 200 05</b>       |

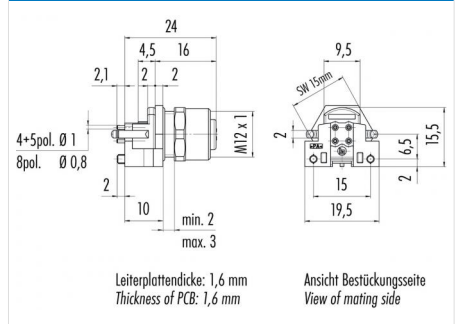
### Illustration



### Conductor layout



### Scale drawing



You can find the assembly instruction on the next page.

## Technical data

### Common values

|                          |                   |
|--------------------------|-------------------|
| Connector Design         | Integrated socket |
| Connector locking system | screw             |
| Termination              | dip-solder        |
| Upper temperature        | 85 °C             |
| Lower temperature        | -40 °C            |

### Electrical values

|                       |                     |
|-----------------------|---------------------|
| Rated voltage         | 125 V               |
| Rated impulse voltage | 1500 V              |
| Pollution degree      | 3                   |
| Overvoltage category  | II                  |
| Material group        | III                 |
| Rated current (40°C)  | 4 A                 |
| Volume resistivity    | ≤ 3 mΩ              |
| Degree of protection  | IP68                |
| Mechanical operation  | > 100 mating cycles |

### Material

|                          |                            |
|--------------------------|----------------------------|
| Material of contact      | CuSn (Bronze)              |
| Contact plating          | Au (Gold)                  |
| Material of contact body | PA                         |
| Material of housing      | CuZn (Brass nickel-plated) |

Contacts: 5, Integrated socket for PCB mounting, straight, with UL approval

Product

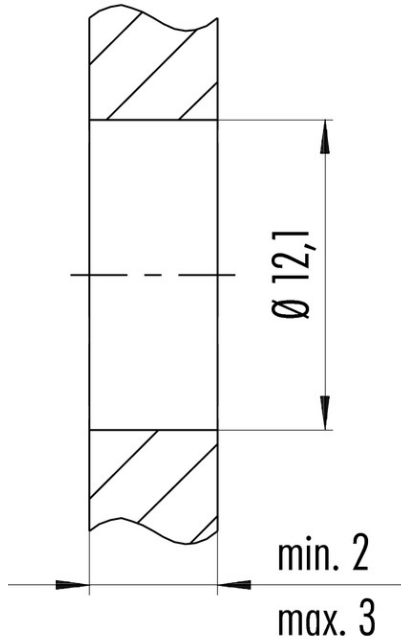
Contacts: 5, Integrated socket for PCB  
mounting, straight, with UL approval  
5

Area  
Article number

M12-A Series 713/763  
99 3442 200 05

Pole

### Installation instructions / Mounting cutout



Anzugsdrehmoment / *Tightening moment*  
M12 x 1      6,25 Nm