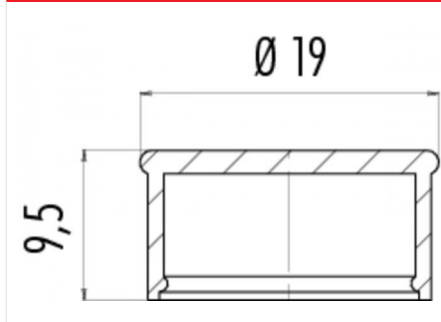


Product **423-723: Protection cap for cable / male panel mount connector, IP40**  
 Article number **02 0054 000**

## Illustration



## Scale drawing



## Matching products

- Cable plug connector with cable clamp, CRIMP connection, shieldable, cable outlet 4 - 6 mm
- Cable plug connector with cable clamp, CRIMP connection, shieldable, cable outlet 6 - 8 mm
- Female cable connector with cable clamp, CRIMP connection, shieldable, cable outlet 4 - 6 mm
- Female cable connector with cable clamp, CRIMP connection, shieldable, cable outlet 6 - 8 mm
- Male panel mount connector, solder
- Male panel mount connector, solder, screwed from front
- Male panel mount connector, dip-solder, screwed from front
- Male panel mount connector, crimp
- Male panel mount connector, crimp, screwed from front
- Male panel mount connector with flexible plate, screwed from front, silver plated contacts, Contacts: 7
- Flanschstecker mit Flexplatte, von vorn verschraubbar, versilberte Kontakte, Polzahl: 8
- Male panel mount connector with flexible plate, screwed from front, gold plated contacts, single row
- Male panel mount connector with flexible plate, screwed from front, gold plated contacts, double-row