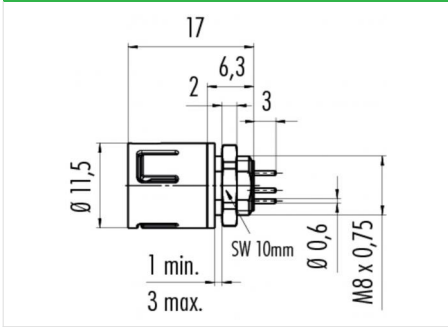


| | |
|----------------|--|
| Product | Contacts: 3, Male panel mount connector, dip-solder |
| Area | Snap-in IP67, subminiature Series |
| Article number | 99 9207 490 03 |

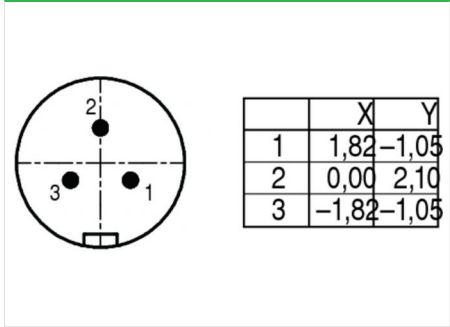
Illustration



Scale drawing



Contact Arrangement



You can find the assembly instruction on the next page.

Technical data

General features

| | |
|--------------------------|----------------------------|
| Connector Design | male panel mount connector |
| Connector locking system | snap |
| Termination | dip-solder |
| Wire gauge (mm) | - |
| Wire gauge (AWG) | - |
| Cable outlet | - |
| Upper temperature | 85 °C |
| Lower temperature | -25 °C |

Electrical parameters

| | |
|-----------------------|--------------|
| Rated voltage | 125 V |
| Rated impulse voltage | 1500 V |
| Pollution degree | 2 |
| Overvoltage category | II |
| Material group | II |
| Rated current (40°C) | 3 A |
| Volume resistivity | ≤ 3 mΩ |
| EMV compliance | not shielded |
| Degree of protection | IP67 |

Material

| | |
|--------------------------|----------------|
| Material of contact | CuZn (Messing) |
| Contact plating | Au (gold) |
| Material of contact body | PA (UL 94 V-0) |

Product

Contacts: 3, Male panel mount connector, dip-solder

Area

Snap-in IP67, subminiature Series

Article number

99 9207 490 03

Installation instructions / Mounting cutout

