

Product sheet

Miniature connector

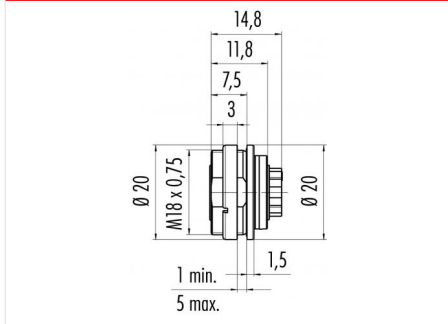


Product	Contacts: 5, Female panel mount connector, crimp, screwed from front	Area	M16 IP67 Series 423/ 723/ 425
Pole	5	Article number	09 0116 780 05

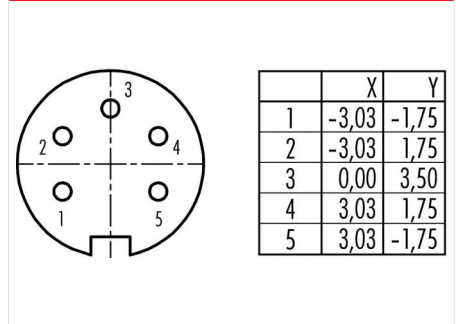
Illustration



Scale drawing



Contact Arrangement



Technical data

Common values

Connector Design	Female panel mount connector
Connector locking system	screw
Termination	Crimp
Wire gauge (mm)	0.14 -1.0 mm ²
Wire gauge (AWG)	26-18
Cable outlet	-
Upper temperature	95 °C
Lower temperature	-40 °C

Electrical values

Rated voltage	250 V
Rated impulse voltage	1500 V
Pollution degree	1
Overvoltage category	I
Material group	III
Rated current (40°C)	6 A
Volume resistivity	≤ 5 mΩ
EMV compliance	not shielded
Degree of protection	IP67
Mechanical operation	> 500 mating cycles

Material

Material of contact	CuSn (Bronze)
Contact plating	Ag (Silver)
Material of contact body	PBT (UL 94 V-0)
Material of housing	CuZn (Brass nickel-plated)

Contacts: 5, Female panel mount connector, crimp, screwed from front

