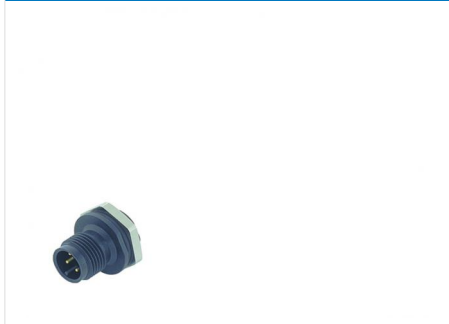
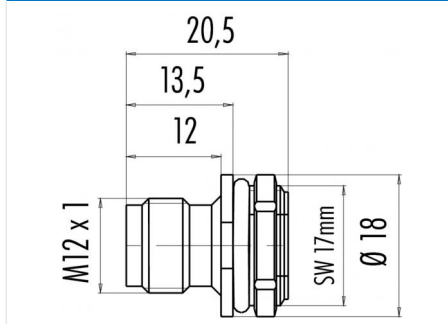


Product	Contacts: 5, Male panel mount connector, fixing thread, PG 9, M16 x 1.5	Area	M12-A Series 713/763
Pole	5	Article number	86 4331 1002 00005

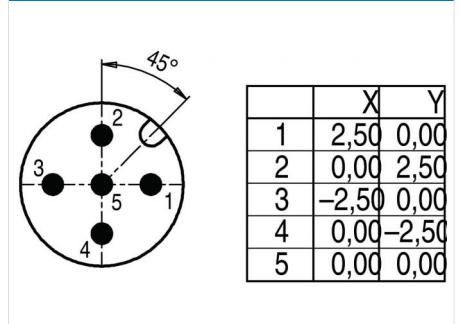
Illustration



Scale drawing



Contact Arrangement



You can find the assembly instruction on the next page.

Technical data

Common values

Connector Design	Male panel mount connector
Connector locking system	screw
Termination	Solder
Wire gauge (mm)	0.25 mm ²
Wire gauge (AWG)	24
Upper temperature	85 °C
Lower temperature	-40 °C

Electrical values

Rated voltage	125 V
Rated impulse voltage	1500 V
Pollution degree	3
Overvoltage category	II
Material group	II
Rated current (40°C)	4 A
Volume resistivity	≤ 3 mΩ
EMV compliance	not shielded
Degree of protection	IP67
Mechanical operation	> 100 mating cycles

Material

Material of contact	CuZn (Brass)
Contact plating	Au (Gold)
Material of contact body	PA
Material of housing	PA

Contacts: 5, Male panel mount connector, fixing thread, M16 x 1.5

Product

**Contacts: 5, Male panel mount connector,
fixing thread, PG 9, M16 x 1.5**

Area
Article number

**M12-A Series 713/763
86 4331 1002 00005**

Pole

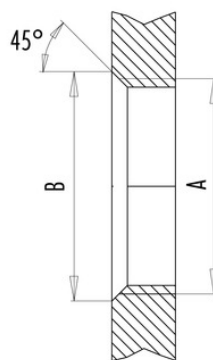
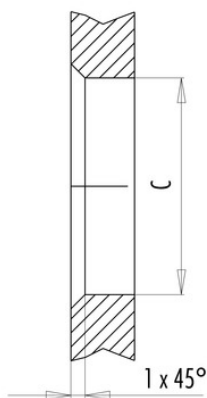
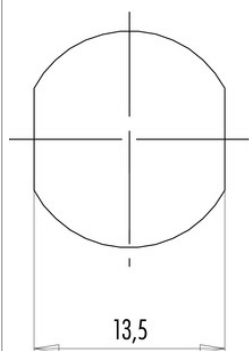
Installation instructions / Mounting cutout

Mit Fläche als Verdrehenschutz
With flats as anti-rotation device

Mit Durchgangsbohrung
With bore hole

Mit Gewinde, einschraubbar
With thread to screw in

PG 9/M16 x 1,5



alternativ/alternativ

	A	B	C
PG 9	PG 9	16,2	15,3
PG 13,5	PG 13,5	21,5	20,5
M16x1,5	M16x1,5	17,0	16,1
M20x1,5	M20x1,5	21,0	20,1

Anzugsdrehmoment/Tightening moment

Metallgehäuse/Metal housing 6,25 Nm
Kunststoffgehäuse/Plastic housing 3,75 Nm