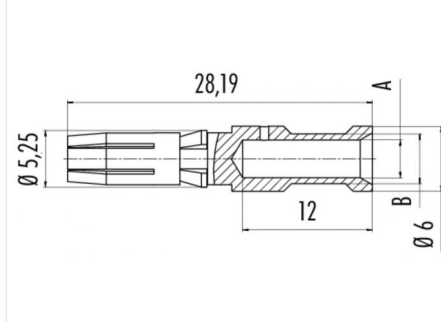


Product description **Female contact, set of 100**  
Order number **61 1286 139**

## Illustration



## Scale drawing



## Technical data

Wire gauge (mm) 6.00 mm<sup>2</sup>  
Wire gauge (AWG) 10  
Crimp measurement A = 3.5; B = 4.6