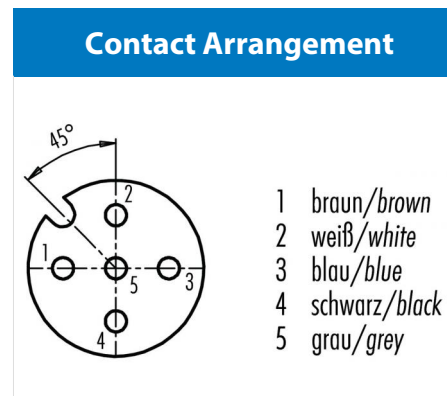
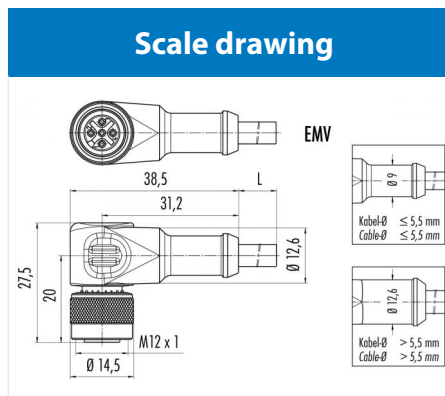


Product	<b>Contacts: 5, Female angled connector overmoulded, shielded</b>	Area	<b>M12-A Series 763</b>
Pole	<b>5</b>	Article number	<b>77 3534 0000 20705-0200</b>



## Technical data

### Common values

Connector Design	Female angled connector
Connector locking system	screw
Termination	crimp, injection-moulded cable
Wire gauge (mm)	0.25 mm <sup>2</sup>
Wire gauge (AWG)	24
Upper temperature	85 °C
Lower temperature	-25 °C

### Cable data

material housing	PVC
Insulation single lead	PVC
Single lead structure	14 x 0.16
Cable sheath Ø	5.3
Conductor resistance	75.5Ω/Km
Temperature range cable movable c from	-5
Temperature range cable movable c to	70
Temperature range cable fixed c from	-25
Temperature range cable fixed c to	70
Bending radius cable fixed	60 mm
Bending radius cable movable	120 mm

### Electrical values

Rated voltage	125 V
Rated impulse voltage	1500 V
Pollution degree	3
Overvoltage category	II
Material group	II
Rated current (40°C)	4 A
Volume resistivity	≤ 3 mΩ
EMV compliance	geschirmt
Degree of protection	IP67
Mechanical operation	> 100 mating cycles

### Material

Material of contact	CuSn (Bronze)
Contact plating	Au (Gold)
Material of contact body	PUR
Material of housing	PUR

Contacts: 5, Cable length 2 m, cable: 5 x 0.25 mm<sup>2</sup>, PVC, female angled connector, overmoulded, shielded